

Vitek

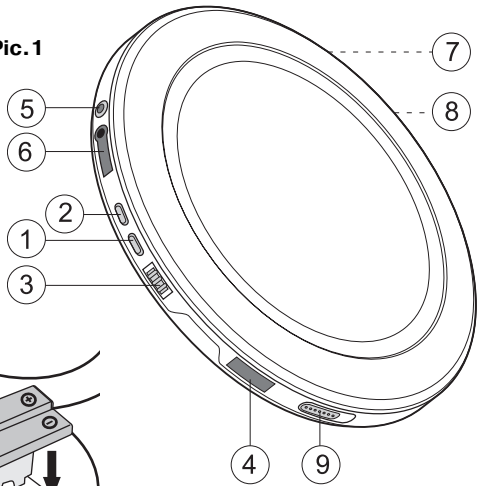
ИНСТРУКЦИЯ ПО ЭКСПЛУАТАЦИИ MANUAL INSTRUCTION

ПОРТАТИВНЫЙ VCD/MP3/CD АУДИО/ВИДЕО ПЛЕЕР
PORTABLE VCD/MP3/CD AUDIO/VIDEO PLAYER

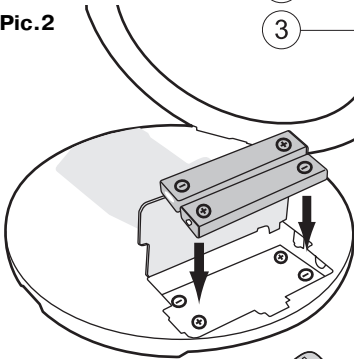


МОДЕЛЬ VT-3788

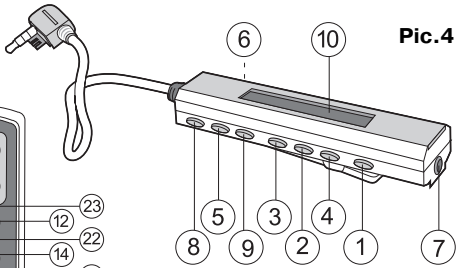
Pic.1



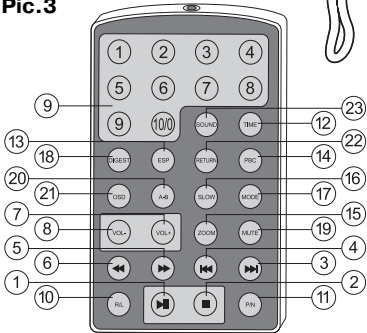
Pic.2



Pic.4



Pic.3



ENGLISH

Dear user!

Please read this manual instruction carefully before first use.

Make sure that available components are as listed below:

Audio/video player	1
AC adapter	1
Wireless remote control	1
Liquid-crystal display (LCD) of the wireless remote control	1
Headphones	1
Manual instruction	1
Rechargeable batteries	2
Audio/video cable	1
Outer battery compartment	1

FUNCTIONS

(see pic. 1 on page 2)

1. Types of playable discs
CD/VCD/DVCD/MP3/CD-R
2. Electronic playback interruption control
3. Correction of reader errors
4. LCD wire remote control
5. Full-function wireless remote control
6. Automatic battery recharging
7. Disc previewing (9 images)
8. Repeated disc playback
9. Playback menu
10. Disc playback resumption
11. Playback from selected time
12. Repeated playback of selected fragment (A-B program)
13. Programmed playback
14. Demonstration playback
15. Random playback

16. Mode switch (P/N)
17. Audio channel switch (R/L)
18. Image zooming control
19. Slow motion
20. Forward/backward disc search
21. Current playback time indicator
22. Low voltage indicator
23. Automatic shutdown
24. Outer battery compartment jack
25. Key lock
26. MUTE
27. Electronic volume control (32-level)
28. Sound mode indicator
29. Sound mode selection

Note: depending on condition or contents of a recorded disc, some CD-R/MP3 discs may not be played. Power consumption in ESP status will be higher than in normal playback mode.

USING THE FRONT PANEL FUNCTIONAL KEYS

- 1 On/Play/Pause key (▶||)
- 2 Stop/Off key (■)
- 3 Key locking button (HOLD)
- 4 Wireless remote control sensor (IR)
- 5 Video Out jack (OUT)
- 6 LCD wire remote control jack (REMOTE)
- 7 Outer battery compartment jack (EXT BATT)
- 8 DC input jack (DC IN 4.5 V)
- 9 Disc compartment door open button (OPEN)

ENGLISH

USING THE FRONT-PANEL FUNCTIONAL BUTTONS

1. **On/Playback/Pause key (▶||)**
 - 1) Having connected the adapter, press this button to start play back.
 - 2) Press this button during play back to make a pause. Press this button again to resume playback.
2. **Stop/Off key (■)**
 - 1) Press this button during playback to stop playback.
 - 2) Press this button in the playback-off state to turn the unit off.
3. **Key locking key (HOLD)**
 - 1) With this function activated during playback, the unit will be protected against undesirable keystrokes.
 - 2) Turn the switch to the left to lock all the functional keys.
 - 3) Turn the switch to the right to release a lock and activate all the functional keys.
 - 4) With this function activated, both wire and wireless remote controls will continue working.
4. **Wireless remote control infrared sensor (IR)**
Receives signals from the wireless remote control.
5. **Video Out jack (OUT)**
To be connected with the Video Out jack on the TV set.
6. **LCD wire remote control jack**

(REMOTE)

Insert the LCD wire remote control supplied.

7. Outer battery compartment jack (EXT BATT).

- 1) Rechargeable batteries and outer battery compartment supply the unit with power and should be recharged separately.
- 2) When the unit is supplied from the outer battery compartment, the supply from rechargeable batteries will be shut down automatically.

8. DC input jack (DC IN 4.5 V)

Connect the unit to the outer power source using the AC adapter (supplied).

9. Disc compartment door open button (OPEN)

Turn the key to the right and open the disc compartment to insert or remove a disc.

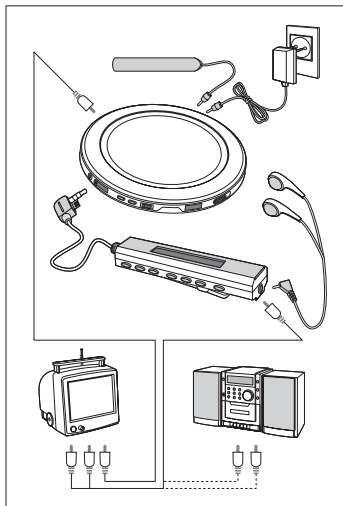
INSTALLATION AND OPERATION

1. Types of connection:

- 1) Connecting the AC adapter: insert the adapter plug into the DC input jack (DC IN 4.5V).
- 2) Connecting to the TV set: insert the yellow plug of the video cable into the Video Out jack (OUT) of the unit, and connect the other end of the video cable to the Video Out jack of the TV set.

ENGLISH

- 3) Connecting the wire remote control: as shown in the figure, insert the double plug of the wire remote control into the wire remote control jack (REMOTE) of the unit, then insert the headphones plug into the headphones jack of the wire remote control.
- 4) Connecting the audio cable: insert the green plug of the video cable into the headphones jack of the wire remote control. Connect the other end of the cable to the Audio Out jack of the TV set.
- 5) Connecting the outer battery compartment: insert the plug of the outer battery compartment to the outer battery compartment



jack (EXT BATT).

Notes:

- 1) Always turn the unit off before connecting or disconnecting the wire remote control.
- 2) All the plugs should be connected to the jacks as shown in figures.

2. Installation/removal of the batteries

- 1) In-system batteries: Open the door of the battery compartment and insert two rechargeable batteries (F6L-1.2V), as shown in the figure. Press the battery on the polarity end "-" to remove.
- 2) Outer battery compartment: Open the door of the outer battery compartment. Insert two rechargeable batteries (AA-1.5V) or (AA-1.2V) into the compartment, as shown in the pic.2 on page 2.
- 3) You may choose one of the three power sources - mains supply through the AC adapter, in-system batteries or outer battery compartment.

Notes:

- 1) Improper installation of batteries may result in damage to the unit.
- 2) Please remove the batteries when the unit is not used for a long period as battery leaks may damage the unit.

ENGLISH

3. Operating instructions:

1) Open the disc compartment door by turning the Open switch to the right, insert the disk with its label side up and close the door. Turn the locking key (HOLD) to the right to unlock the functional keys of the unit.

2) Having properly connected the unit to the power source, the audio/video cable and the wire remote control, press the PLAY button on the unit or on the wire remote control.

3) For the purpose to save battery power during playback of CD/MP3 discs, video signal will not be transmitted to the TV set.

Note: If the unit does not operate or the control of the unit is disrupted, please reset the unit (open the disc compartment door for 3-5 seconds).

FUNCTIONAL KEYS OF THE WIRELESS REMOTE CONTROL

- 1 Play/Pause
- 2 Stop/Off
- 3 Skip to the next program/track
- 4 Skip to the previous program/track
- 5 Fast forward the track /move the image to the right
- 6 Rewind the track/ move the image to the left
- 7 Volume up
- 8 Volume down

- 9 Numeric keys
- 10 Audio channel switch
- 11 Video system switch
- 12 Playback from selected time
- 13 Playback interruption memory/ESP function
- 14 PBC menu
- 15 Image zooming
- 16 Slow playback
- 17 Playback mode switch
- 18 Disc previewing (9 images)
- 19 Mute function
- 20 Playback of selected fragment A-B
- 21 Information displaying
- 22 Return to the menu
- 23 Audio mode

NOTES ON THE FUNCTIONAL KEYS OF THE WIRELESS REMOTE CONTROL

1. Play/Pause

Press this key in the playback mode to make a pause/resume playback.

2. Stop/Off

- 1) Press this key in the playback mode to stop playback.
- 2) Press this key in the playback stop mode to switch the unit off.

3. Skip to the next program/track

- 1) Press this key during playback to skip to the next program/track.
- 2) Press this key in the Zoom-out mode to change the zooming level.

ENGLISH

4. Skip to the previous program/track

1) Press this key during playback to skip to the previous program/track.

2. Press this key in the Zoom-in mode to change the zooming level.

5. Fast forward the track /move the image to the right

1) When viewing a VCD disc, press this button to select one of the four speeds of forward searching for required disc fragment. Press the PLAY key to resume playback.

2) Press this key in the Zoom mode to move the image to the right.

6. Rewind the track/ move the image to the left

1) When viewing a VCD disc, press this button to select one of the four speeds of backward searching for required disc fragment. Press the PLAY key to resume playback.

2) Press this key in the Zoom mode to move the image to the left.

7. Volume up

Press this key to increase the volume.

8. Volume down

Press this key to decrease the volume.

9. Numeric keys

1) Using these keys you may select the required track.

2) When playing a MP3 disc: if you want to play, say, track No. 103, press keys 1, 0 and 3 on the wireless remote control, then press PLAY to start playing the selected track.

10. Audio channel switch

When viewing a VCD disc, press this key to select one of the two reproducing channels: left channel/ right channel/ stereo sound.

11. Video system switch

When viewing a VCD disc, press this key to switch between the video output systems (PAL/NTSC).

12. Playback from selected time

When viewing a VCD disc, press this key and enter four digits, for instance, 58:56. Your VCD disc will be played since the selected moment (in this case, after 58 min. 56 sec. of the total playback time).

13. Playback interruption memory/ ESP function

1) Press the STOP key in the playback mode to stop playback. If you press this key again without opening the disc compartment door, playback will resume since the moment it was stopped.

2) When reproducing VCD/CD discs, press this button to acti-

ENGLISH

vate ESP function (playback interruption control). Press this key while playing a MP3 disc to move to another 10 tracks .

14. PBS menu

- 1) When viewing a VCD 2.0 disc, press this key to go to the disc menu . This function is available for VCD 2.0 discs only.
- 2) Using numeric keys on the wireless remote control you may select the required program from the menu.
- 3) Press this key to leave the playback menu and activate normal playback mode.

15. Image zooming

- 1) When viewing a VCD disc, press this key to enlarge the image twice as much. By pressing this key again you will disable zooming function
- 2) Press the Skip to the next program/track key or Skip to the previous program/track key in the zooming mode to move the image vertically or horizontally (upwards, downwards, to the left or to the right).

16. Slow playback

When viewing a VCD disc, press this key. Disc playback will slow down, and you can select one of the four speeds of slow playback (1/2, 1/4, 1/8 and 1/16).

17. Playback mode switch

- 1) Press this key once, and the

player repeats the current track; press this key twice, and the player repeats all the tracks on the disc; press this key three times, and the unit switches to the demonstration mode; press this key four times, and the unit switches to the random playback mode; press this key five times, and the unit returns to the normal playback mode.

- 2) Press this key in the stop mode to program the playback of tracks. Select the desired track using one of the skip keys. Press this key again to enter the selected track No. to the program memory. Repeat these steps and press the PLAY key to start playing the selected program.

18. Disc previewing (9 images)

When viewing a VCD disc, press this key to preview the contents of the whole disc. During such a preview you may view any of the disc fragments from the menu.

19. Mute function

Press this key during playback to silence the sound. Press this key again to resume the sound.

20. Playback of selected fragment A-B

When viewing a VCD disc, press this key to preset the beginning of the required fragment (A), then press it again to preset the end of

ENGLISH

the required fragment (B). The A-B fragment will be played again. By pressing this key three times you will disable playback of the selected fragment.

21. Information displaying

When viewing a VCD disc, press this key to have the disc playback time shown on the LCD and/or audio indicator.

22. Return to the menu

When viewing a VCD disc, press this key to return to the disc menu mode.

23. Audio mode

Using this key you may select one of the following sound modes: Gymnasium/Cinema/Church/Locale/Normal

INSTRUCTIONS AND NOTES ON THE FUNCTIONAL KEYS OF THE WIRE REMOTE CONTROL

1. On/Play/Pause (▶||)

- 1) Connect the unit to the mains, then press this key to turn the unit on.
- 2) Press this key during playback to make a pause. Press this key again to resume playback.

2. Skip to the next program/track (▶▶)

Press this key to skip to the next program/track.

3. Skip to the previous program/track (◀◀)

Press this key to skip to the previous program/track.

4. Stop/Off (■)

Press this key during playback to stop playback. Press this key again to turn the unit off.

5. Playback mode switch

1) Press this key once, and the player repeats the current track; press this key twice, and the player repeats all the tracks on the disc; press this key three times, and the unit switches to the demonstration mode; press this key four times, and the unit switches to the random playback mode; press this key five times, and the unit returns to the normal playback mode. In the CD mode, press and hold this button for a while, and the function of playback interruption control activates (ESP).

2) In the MP3 mode, press and hold this button for a while to skip 10 tracks ahead.

3) Press this key in the stop mode to program the playback of tracks. Select the desired track using one of the skip keys. Press this key again to enter the selected track No. to the program memory. Repeat these steps and press the PLAY key to start playing the selected program.

6. Key locking

Turn the switch to the left to lock

ENGLISH

all the functional keys of the wire remote control. Turn the switch to the right to release a lock and activate all the functional keys.

7. Headphones jack

Connect the headphones (supplied) to this jack.

8. Volume up

Press this key to increase the volume.

9. Volume down

Press this key to decrease the volume.

10. Liquid-crystal display (LCD)

LCD shows current playback time and other information.

MAINS AND BATTERY POWER SUPPLY

1. Mains power supply:

1) Make sure that the AC adapter is compatible to the local mains voltage.

2) Always use only the AC adapter supplied with the unit. Never use other adapters meant for different voltage and amperage - these may cause unit malfunctioning.

3) Never touch the adapter with wet hands - this is dangerous.

4) Always turn the unit off before removing the adapter plug from the jack.

5) Never disassemble the AC adapter yourself - you may dam-

age it.

6) Disconnect the adapter from the mains after use.

2. Battery power supply (rechargeable batteries):

1) The unit may be recharged automatically; to ensure such recharge take the following steps:

- Insert the batteries into the unit or outer battery compartment properly, then connect the AC adapter and turn the unit on.
- To recharge the batteries in the outer battery compartment, insert the plug of the outer battery compartment into the corresponding jack on the player (EXT-BATT). If you are going to recharge the in-system batteries, please DISCONNECT the plug of the outer battery compartment.
- Remove the disc from the unit, then press the PLAY key to turn the unit on. "NO DISC" will appear on the LCD of the wire remote control. Then press the PLAY key again, and "HOUR 10" will appear on the LCD (10 hours is the initial recharge time). Press the PLAY for the third time - the batteries will start recharging and the LCD will show the time.
- Full recharge of the supplied batteries takes 10 hours.
- When the recharge time is off, the unit will be shut down automatically.

ENGLISH


Note: to ensure complete recharge never press the STOP key.

2) Full recharge of 1200 mA/h batteries takes 10 hours.

When recharging the batteries of different capacitance, select the required recharge time using the Skip to the previous/next track keys.

3) In the process of recharge the unit will be slightly heated - this is normal.

4) Never attempt to recharge fully charged batteries - this will reduce their lifetime.

5) The symbol  flashing on the LCD means that the batteries are low and need recharging.

6) Never use the batteries without insulated housing - this may cause short circuit and damage the player.

7) Always use the batteries of the same type and age.

8) Do not forget to remove the batteries if the unit is supplied from another power source.

9) Never attempt to recharge common dry batteries. This may cause explosion and battery leakage.

10) Never use low-quality discs or batteries - this may reduce the service life of the player.

UNIT AND DISC MAINTENANCE

1. Unit maintenance

1) Read this instruction manual carefully before using the unit for the first time - improper operation may cause malfunctioning or damage the player.

2) Never touch the laser lens and make sure it never touches any hard objects.

3) Never put heavy objects on the unit, this may cause damage.

4) Do not expose the unit to a continuous shaking or blows - this may reduce the service life of the reading mechanism.

5) If there are any sound distortions while reproducing high-quality discs, use special discs to clean the laser lens.

6) Frequent reproduction of two-in-one discs may also reduce the service life of the laser head.

7) Do not use low-quality or deformed discs - this may cause damage to the laser lens.

8) Never try to reproduce dirty discs.

2. Disc maintenance:

1) Keep the disc clean. Hold it by the edge and by the internal opening.

2) Never stick any paper or adhesive type on the disc surface.

3) Do not expose the disc to

ENGLISH

direct sunlight and keep it away from sources of heat. This may cause damage to the disc and make its further use impossible.

- 4) Make sure that the disc never comes into contact with hard objects. Do not scratch the disc.
- 5) After reproducing, store the disc in its case.

SAFETY PRECAUTIONS:

- 1) The unit employs a laser mechanism producing invisible laser radiation. Avoid direct exposure to beam.
- 2) If the unit malfunctions due to some objects or liquid that got inside, disconnect the unit from the mains immediately. Never open the top cover: there are no user-serviceable parts inside. Leave all servicing to qualified personnel.
- 3) Do not insert any objects into jacks or openings of the unit.
- 4) Make sure that the batteries or AC adapter are removed or disconnected when not in use.
- 5) Do not operate the unit in the bathroom or other rooms with a high humidity/temperature.

WARNING:

Manufacturer shall bear no responsibility in the following cases:

- 1) The unit is damaged when operated without regard to recommendations set forth in this instruction manual.
- 2) The unit malfunctions due to improper installation or battery leakage.
- 3) The unit is damaged when connected to incompatible AC adapter.
- 4) The unit has been disassembled and repaired by the user
- 5) Other mechanical damages to the unit

ENGLISH

TROUBLESHOOTING

SYMPTOM	POSSIBLE CAUSE	CORRECTION
No power	<ol style="list-style-type: none"> 1. Batteries are low or inserted improperly 2. AC adapter is connected improperly 3. DC 4.5V plug or jack are dirty 4. Insufficient battery capacitance 5. Key locking function is active 	<ol style="list-style-type: none"> 1. Recharge the batteries 2. Connect the adapter plug to the socket properly 3. Clean the jack and the plug 4. Recharge the batteries or insert new ones 5. Turn the HOLD switch to the right to unlock the keys
No playback after the disc has been inserted or "NO DISC" flashes on the LCD	<ol style="list-style-type: none"> 1. Laser lens is dirty 2. Disc is inserted improperly 3. Disc is dirty 4. Deformed or scratched disc 5. Low-quality (pirate) disc 	<ol style="list-style-type: none"> 1. Use a cleaning disc to clean the lens 2. Insert the disc properly 3. Use special agent to clean the disc 4. Use high-quality disc 5. Use an authentic disc
No picture on the screen	<ol style="list-style-type: none"> 1. Video cable plug is oxidized or dirty 2. Loose connection to the badly fitted jack 3. Video cable has internal breaks 4. Video cable is connected to the TV set improperly 5. CD or MP3 disc is inserted 	<ol style="list-style-type: none"> 1. Clean the plug 2. Fix or replace the jack 3. Use a new video cable 4. Connect the video cable to the TV set as recommended in the manual 5. Use an authentic VCD disc.
No sound	<ol style="list-style-type: none"> 1. MUTE function is active 2. Broken audio cable 3. Volume is too low 4. Wrong connection of audio- and video cables 5. Wrong connection of the audio cable 	<ol style="list-style-type: none"> 1. Deactivate the MUTE function using the wireless remote control 2. Replace the audio cable with a new cable of the same type 3. Turn the volume control to the left 4. Connect the audio- and video cables as recommended in the manual 5. Connect the audio cable properly
Distorted sound	<ol style="list-style-type: none"> 1. Low-quality disc 2. Scratched disc 3. Video cable plug is oxidized or dirty 	<ol style="list-style-type: none"> 1. Use an authentic high-quality disc 2. Use a new disc 3. Use a cleaning disc
AC adapter cannot be connected	<ol style="list-style-type: none"> 1. Adapter plug is oxidized 2. AC adapter cable is broken 	<ol style="list-style-type: none"> 1. Remove oxidation from the plug 2. Replace the AC adapter with a same-type new adapter
Wireless remote control does not work	<ol style="list-style-type: none"> 1. Undercapacity or oxidation of the remote control battery 2. Remote control is too far from the unit 3. Remote control is dirty 	<ol style="list-style-type: none"> 1. Replace the batteries 2. The distance from the remote control to the unit should not exceed three meters 3. Clean the remote control

ENGLISH

SPECIFICATIONS:

- Frequency range: 20-20000 Hz
- Harmonic distortion: < 0.01%
- Signal-to-noise ratio:>80 dB
- Headphones, output power: 15 mW + 15 mW (32 Ohm)
- Audio channeling: > 70 dB
- Video output level:1VP-P
- Audio output level:0.8 W +/- 0.2 W
- Image resolution: PAL: 352 x 288; NTSC: 352 x 240
- Compatible versions of VCD discs: 1.0 1.1 2.0
- Image definition: > 255
- Compatible disc formats: CD / CD-R / CD-RW / MP3 / VCD / DVCD
- Network AC adapter: AC 230 V \pm 10%, ~50 Hz (input), DC 4.5V 800 mA (output)
- Rechargeable batteries: F6L.NI-MH 1.2V x 2
Outer compartment batteries: R06: AA-1.5V x 2 or AA-1.2 V x 2 (rechargeable).
- Power requirement: < 2 W
- Active period of ESP function: CD - 120 sec/MP3 - 480 sec/VCD - 60 sec
- Operating temperature: 5°C to 40°C
- Operating humidity: 10% to 90% (freezing prohibited)
- Storage temperature: 10°C to 25°C
- Dimensions: 135 mm (W); 15.5 mm (D)
- Weight: approx. 158 g (without batteries)

DUE TO THE PROCESS OF COSTANT PRODUCT PERFECTION, THE MANUFACTURER RESERVES THE RIGHT TO MAKE CHANGES TO THE TECHNICAL CHARACTERISTICS OF THIS PRODUCT WITH PRIOR NOTICE TO THE CONSUMER.

SERVICE LIFE - NO LESS THAN 5 YEARS

РУССКИЙ

Уважаемый пользователь!
Пожалуйста, внимательно прочитайте данную инструкцию перед использованием плеера. Проверьте наличие всех комплектующих в соответствии с нижеприведенным перечнем:

Аудио/видео плеер	1
Адаптер AC	1
Беспроводной пульт дистанционного управления	1
Проводной пульт дистанционного управления с ЖК-дисплеем	1
Наушники	1
Инструкция по эксплуатации	1
Аккумуляторные батареи	2
Аудио/Видео кабель	1
Внешний батарейный отсек	1

ФУНКЦИИ

- Поддержка дисков формата CD/VCD/DVCD/MP3/CD-R
- Электронная функция защиты от прерывания воспроизведения (ESP)
- Коррекция ошибок при считывании
- Проводной пульт дистанционного управления с жидкокристаллическим дисплеем
- Полнофункциональный беспроводной пульт дистанционного управления
- Автоматическая перезарядка аккумуляторов
- Функция предварительного просмотра содержимого диска (9 фрагментов)
- Повтор воспроизведения диска
- Меню воспроизведения
- Возобновление воспроизведения диска
- Воспроизведение по установленному времени
- Повторное воспроизведение выбранного фрагмента (программа A-B)
- Програмное воспроизведение
- Ознакомительное воспроизведение
- Воспроизведение в произвольном порядке
- Выбор видеорежимов PAL/NTSC
- Выбор аудиоканала (левый/правый)
- Выбор масштаба изображения
- Функция замедленного воспроизведения
- Функция поиска по диску вперед/назад
- Индикатор текущего времени воспроизведения
- Индикатор низкого напряжения
- Автоматическое отключение питания
- Разъем для подключения внешнего батарейного отсека
- Функция блокировки клавиш
- Функция отключения звука MUTE

РУССКИЙ

- 27. Электронный регулятор громкости (32-уровня)
- 28. Индикатор режима звучания
- 29. Выбор режима звучания

Примечание: в зависимости от состояния записанного диска или его содержания некоторые диски в формате CD-R/MP3 могут не воспроизводиться. В режиме ESP происходит более интенсивное потребление питания, чем в режиме нормального воспроизведения.

ФУНКЦИОНАЛЬНЫЕ КНОПКИ ПЕРЕДНЕЙ ПАНЕЛИ (см. рис. 1 на стр. 2)

- 1 Кнопка Включение/Воспроизведение/Пауза (▶||)
- 2 Кнопка Остановка воспроизведения/Отключение (■)
- 3 Кнопка блокировки (HOLD)
- 4 Датчик приема сигнала беспроводного пульта дистанционного управления (IR)
- 5 Гнездо видеовыхода (OUT)
- 6 Гнездо для подключения проводного пульта дистанционного управления с жидкокристаллическим дисплеем (REMOTE)
- 7 Разъем для подключения внешнего дополнительного отсека для батарей (EXT BATT)

- 8 Разъем для подключения к источнику питания (DC IN 4.5В)
- 9 Кнопка открытия дверцы отсека для дисков (OPEN)

ПОЯСНЕНИЯ ПО ИСПОЛЬЗОВАНИЮ ФУНКЦИОНАЛЬНЫХ КНОПОК ПЕРЕДНЕЙ ПАНЕЛИ

1. Кнопка Включение/Воспроизведение/Пауза (▶||)

- 1) После подсоединения адаптера нажмите эту кнопку, чтобы начать воспроизведение.
- 2) Во время проигрывания нажмите эту кнопку, чтобы приостановить воспроизведение. Для возобновления воспроизведения снова нажмите эту кнопку.

2. Кнопка Остановка воспроизведения /Отключение (■)

- 1) Во время проигрывания нажмите эту кнопку для остановки воспроизведения.
- 2) В режиме отключенного воспроизведения нажмите эту кнопку, чтобы выключить систему.

3. Функция блокировки кнопок (HOLD)

- 1) При активации этой функции во время воспроизведения система будет защищена от

РУССКИЙ

- случайного нажатия кнопок.
- 2) Перемещение переключателя влево приводит к блокировке всех функциональных клавиш.
 - 3) Чтобы снять блокировку и активировать все функциональные кнопки, переместите переключатель вправо.
 - 4) При активации этой функции проводной и беспроводной пульты дистанционного управления продолжают функционировать.
- 4. Инфракрасный датчик беспроводного пульта дистанционного управления (IR)**

Принимает сигналы от беспроводного пульта дистанционного управления.

- 5. Разъем видеовыхода (OUT)**
Подключается к разъему видеовыхода телевизора
- 6. Разъем для подключения проводного пульта дистанционного управления (REMOTE)**

Подключите к нему проводной пульт дистанционного управления, который входит в комплект.

- 7. Разъем для подключения внешнего батарейного отсека (EXT BATT).**

- 1) Аккумуляторы и внешний батарейный отсек питают

систему и заряжаются отдельно.

- 2) При питании от внешнего батарейного отсека, питание от аккумуляторов автоматически отключается.

- 8. Разъем для подключения к источнику питания (DC IN 4.5 V)**

Подключите систему к внешнему источнику питания - AC адаптеру (входит в комплект).

- 9. Кнопка открытия дверцы отсека для дисков (OPEN)**

Переместите кнопку вправо, откройте отсек для дисков, чтобы загрузить или извлечь диск.

ИНСТРУКЦИЯ ПО ПОДКЛЮЧЕНИЮ И ЭКСПЛУАТАЦИИ

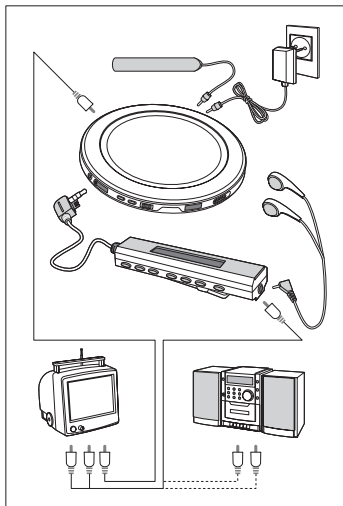
- 1. Способы подключения:**

- 1) Подключение AC адаптера: вставьте штекер адаптера в разъем для подключения к источнику питания (DC IN 4.5V).
- 2) Подключение к телевизору: вставьте желтый штекер видеокабеля в гнездо выхода системы (OUT), а другой конец видеокабеля в разъем видеовыхода телевизора.
- 3) Подключение проводного пульта дистанционного управления: как показано на

РУССКИЙ

рисунке, вставьте двойной штекер проводного пульта в разъем для проводного пульта дистанционного управления системы (REMOTE), вставьте штекер наушников в разъем для наушников проводного пульта.

- 4) Подключение аудио-кабеля: вставьте зеленый штекер аудио-кабеля в разъем наушников проводного пульта дистанционного управления. Другой конец кабеля вставьте в разъем аудио входа телевизора.
- 5) Подключение внешнего батарейного отсека: вставьте



штекер внешнего отсека для батарей в разъем для подключения внешнего батарейного отсека системы (EXT BATT).

Примечания:

- 1) Перед подключением или отключением проводного пульта дистанционного управления выключите питание системы.
- 2) Все штекеры должны быть подключены к гнездам так, как показано на рисунках.

2. Установка/отключение батарей

- 1) Установка аккумуляторов: Откройте крышку отсека для аккумуляторов и установите две аккумуляторные батареи (F6L-1.2 В), соблюдая полярность, как показано на рисунке 2 стр.2. Чтобы извлечь аккумулятор из отсека нажмите на него со стороны полярности "-".
- 2) Внешний батарейный отсек: Откройте крышку внешнего батарейного отсека. Вставьте две батарейки (AA-1.5 В) или два аккумулятора (AA-1.2В) в отсек так, как показано на рисунке.
- 3) Можно выбрать различные источники питания - питание от

РУССКИЙ

электросети посредством AC адаптера, от аккумуляторов в системе или внешнего батарейного отсека.

ВНИМАНИЕ!

- Неправильная установка батарей может привести к повреждению системы.
- Пожалуйста, вынимайте батареи, если вы не используете их, так как "протечка" батарей может привести к повреждению системы.

- 3) В целях экономии энергии батарей во время воспроизведения дисков в форматах CD/MP3 передача видеосигнала на телевизор не осуществляется.

Примечание: Если система не функционирует или нарушено ее управление, пожалуйста, перезагрузите ее (откройте крышку отсека дисков на 3-5 секунд).

3. Инструкции по эксплуатации:

- 1) Откройте крышку отсека для дисков, переместив переключатель Open вправо, вставьте диск этикеткой вверх и закройте крышку. переместите вправо переключатель блокировки HOLD, чтобы разблокировать функциональные кнопки системы.
- 2) После правильного подключения источника питания, аудио/видео-кабеля, проводного пульта дистанционного управления нажмите кнопку PLAY (▶||) на системе или на проводном пульте дистанционного управления.

РУССКИЙ

ФУНКЦИОНАЛЬНЫЕ КНОПКИ БЕСПРОВОДНОГО ПУЛЬТА ДИСТАНЦИОННОГО УПРАВЛЕНИЯ

(см. рис. 3 на стр.2)

- 1 Кнопка Воспроизведение/
Пауза (▶||)
- 2 Кнопка Остановка/Отключение
(■)
- 3 Кнопка перехода к следующей
программе/треку (▶▶)
- 4 Кнопка перехода к предыдущей
программе/треку (◀◀)
- 5 Кнопка перемещения по треку
вперед/перемещения по
изображению вправо
- 6 Кнопка перемещения по треку
назад/перемещения по
изображению влево
- 7 Кнопка увеличения громкости
- 8 Кнопка уменьшения громкости
- 9 Кнопки набора цифр
- 10 Кнопка переключения аудио
каналов
- 11 Кнопка переключения
видеосистемы PAL/NTSC
- 12 Кнопка воспроизведения с
установленного времени
- 13 Кнопка памяти остановки
воспроизведения/функции ESP
- 14 Кнопка включения
интерактивного меню при
воспроизведении VCD дисков
(PBC)
- 15 Кнопка масштабирования
изображения ZOOM
- 16 Кнопка замедленного

- воспроизведения
- 17 Кнопка переключения режимов
воспроизведения
 - 18 Кнопка просмотра
содержимого диска (9
фрагментов)
 - 19 Функция отключения звука
 - 20 Кнопка проигрывания
выбранного фрагмента A-B
 - 21 Кнопка вывода информации на
экран
 - 22 Кнопка возврата в меню
 - 23 Кнопка режима звучания (EQ)

ПОЯСНЕНИЯ К ФУНКЦИОНАЛЬНЫМ КНОПКАМ БЕСПРОВОДНОГО ПУЛЬТА ДИСТАНЦИОННОГО УПРАВЛЕНИЯ

1. **Кнопка Воспроизведение/
Пауза**
В режиме воспроизведения
нажмите эту кнопку, чтобы
приостановить/возобновить
проигрывание.
2. **Кнопка Остановка/
Отключение**
 - 1) Во время воспроизведения
нажмите эту кнопку, чтобы
остановить проигрывание.
 - 2) В режиме остановки
воспроизведения нажмите эту
кнопку, чтобы отключить
систему.
3. **Кнопка перехода к
следующей**

РУССКИЙ

программе/треку

- 1) Во время воспроизведения нажмите эту кнопку, чтобы перейти к следующей программе/треку.
- 2) В режиме ZOOM нажмите эту кнопку, чтобы изменить степень масштабирования.

4. Кнопка перехода к предыдущей программе/треку.

- 1) Во время воспроизведения нажмите эту кнопку, чтобы перейти к предыдущей программе/треку.
- 2) В режиме Zoom-in нажмите эту кнопку, чтобы изменить степень масштабирования.

5. Кнопка быстрого перехода вперед/прокручивания изображения вперед.

- 1) Во время воспроизведения диска в формате VCD нажмите эту кнопку, чтобы выбрать одну из четырех скоростей поиска фрагмента диска вперед. Чтобы возобновить воспроизведение, нажмите кнопку PLAY.
- 2) В режиме ZOOM нажмите эту кнопку, чтобы переместить изображение вправо.

6. Кнопка быстрого перехода назад/прокручивания изображения назад.

- 1) Во время воспроизведения диска в формате VCD нажмите

эту кнопку, чтобы выбрать одну из четырех скоростей поиска фрагмента диска назад. Чтобы возобновить воспроизведение, нажмите кнопку PLAY .

- 2) В режиме ZOOM нажмите эту кнопку, чтобы переместить изображение влево.

7. Кнопка увеличения громкости

Воспользуйтесь этой кнопкой, чтобы увеличить уровень громкости

8. Кнопка уменьшения громкости

Воспользуйтесь этой кнопкой, чтобы снизить уровень громкости

9. Кнопки набора цифр

- 1) С помощью этих кнопок вы можете выбрать нужный трек.
- 2) В режиме воспроизведения диска в формате MP3: если вы хотите прослушать, например, трек № 103, нажмите кнопки 1, 0, 3 на беспроводном пульте дистанционного управления, а затем нажмите PLAY, чтобы начать воспроизведение выбранного трека.

10. Кнопка переключения аудио каналов

Во время воспроизведения диска в формате VCD, нажмите эту кнопку для выбора исходящей информации двух аудио-каналов: левый

РУССКИЙ

канал/правый канал/стерео звук.

11. Кнопка переключения видеосистемы

Во время воспроизведения диска в формате VCD, нажмите эту кнопку, чтобы переключить систему видео сигнала (PAL/NTSC).

12. Кнопка воспроизведения в установленном времени

Во время воспроизведения диска в формате VCD, нажмите эту кнопку и введите четыре цифры, например, 58:56. Диск в формате VCD будет проигран с момента, соответствующего выбранному времени (данном случае с момента 58 мин. 56 сек. общего времени воспроизведения диска).

13. Кнопка памяти остановки воспроизведения/функции ESP

- 1) Во время воспроизведения нажмите кнопку STOP для остановки воспроизведения. Если, не открывая дверцу отсека для дисков, вы нажмете эту кнопку, воспроизведение возобновится с того момента, когда оно было остановлено.
- 2) Во время воспроизведения дисков в форматах VCD/CD нажмите эту кнопку, чтобы активировать/отключить функцию защиты прерывания

воспроизведения ESP. Во время воспроизведения диска в формате MP3 при нажатии этой кнопки происходит перемещение воспроизведения на 10 треков вперед.

14. Кнопка VCD меню (PBC)

- 1) Во время воспроизведения диска в формате VCD 2.0, нажмите эту кнопку, чтобы войти в меню диска.
Эта функция доступна только для дисков в формате VCD 2.0.
- 2) С помощью кнопок цифрового пульта дистанционного управления вы можете выбрать в меню нужную вам программу.
- 3) Нажмите на эту кнопку, чтобы перевести режим меню воспроизведения в режим обычного воспроизведения.

15. Кнопка масштаба изображения ZOOM

- 1) В режиме воспроизведения диска в формате VCD нажмите эту кнопку, чтобы увеличить размер изображения в 2 раза. Нажав на эту кнопку повторно, вы отключите функцию масштабирования.
- 2) В режиме масштабирования нажмите кнопку перехода к следующей программе/треку или перехода к предыдущей программе/треку, чтобы

РУССКИЙ

переместить изображение по горизонтали или вертикали (вверх, вниз, влево, вправо).

16. Кнопка замедленного воспроизведения

В режиме воспроизведения диска в формате VCD нажмите эту кнопку. Воспроизведение диска замедлится, при этом вы можете выбрать одну из четырех скоростей замедленного воспроизведения (1/2, 1/4, 1/8 и 1/16).

17. Кнопка переключения режимов воспроизведения

- 1) Одно нажатие на кнопку - повтор отдельного трека, второе нажатие - повтор всех треков, третье нажатие - режим ознакомления, четвертое нажатие - воспроизведение в произвольном порядке, пятое нажатие - возвращение в обычный режим воспроизведения.
- 2) В режиме остановки нажмите эту клавишу, чтобы создать программу воспроизведения треков. С помощью кнопки поиска выберите желаемый трек. Нажав на эту кнопку снова, выбранный трек будет занесен в память программы. Повторите операцию выбора и занесения треков в память программы, а затем нажмите

кнопку PLAY, чтобы начать воспроизведение созданной программы.

18. Кнопка просмотра содержимого диска (9 фрагментов)

Во время воспроизведения диска в формате VCD нажмите на эту кнопку, чтобы просмотреть содержимое всего диска. Во время просмотра вы можете воспроизвести любой из участков диска, отображенных в меню.

19. Функция отключения звука

Во время воспроизведения нажмите эту кнопку, чтобы отключить звук. Для возобновления звучания нажмите эту кнопку еще раз.

20. Кнопка проигрывания выбранного фрагмента A-B

Во время воспроизведения диска в формате VCD нажмите эту кнопку, чтобы установить начало выбранного фрагмента (A), затем нажмите ее снова для установки окончания выбранного фрагмента (B). Фрагмент A-B будет повторно воспроизведен. Третьим нажатием на эту кнопку вы отмените режим воспроизведения выбранного фрагмента.

РУССКИЙ

21. Кнопка вывода информации на экран

Во время воспроизведения диска в формате VCD нажмите эту кнопку для вывода на экран времени воспроизведения диска и/или дисплей аудио индикатора.

22. Кнопка возврата в меню

Во время воспроизведения диска в формате VCD нажмите эту кнопку, чтобы вернуться к режиму меню диска.

23. Кнопка режима звучания (EQ)

С помощью этой кнопки вы можете выбрать один из следующих режимов звучания: Gymnasium/ Cinema/ Church/ Locale/Normal (Спортивный зал/ Кино/ Церковь/ Локализованный/ Обычный).

ИНСТРУКЦИЯ К ФУНКЦИОНАЛЬНЫМ КНОПКАМ ПРОВОДНОГО ПУЛЬТА УПРАВЛЕНИЯ

(см. рис. 4 на стр. 2)

1. Кнопка Включения/ Воспроизведение/Пауза (▶||)

- 1) Подключите систему к электропитанию, затем нажмите эту кнопку, чтобы включить систему.
- 2) Во время воспроизведения нажмите эту кнопку, чтобы

приостановить проигрывание. Для возобновления воспроизведения нажмите эту кнопку повторно.

2. Кнопка перехода к следующей программе/треку (▶▶)

Нажмите эту кнопку для перехода к следующей программе/треку

3. Кнопка перехода к предыдущей программе/треку (◀◀)

Нажмите эту кнопку для перехода к предыдущей программе/треку.

4. Кнопка Остановки/ Отключения (■)

В режиме воспроизведения нажмите эту кнопку для остановки проигрывания. Чтобы отключить систему, нажмите эту кнопку еще раз.

5. Кнопка переключения режимов воспроизведения

- 1) Одно нажатие на кнопку - повтор отдельного трека, второе нажатие - повтор всех треков, третье нажатие - режим ознакомления, четвертое нажатие - воспроизведение в произвольном порядке, пятое нажатие - возвращение в обычный режим воспроизведения. В режиме CD, при длительном нажатии на эту клавишу включатся

РУССКИЙ

система защиты от прерывания воспроизведения (ESP).

- 2) В режиме воспроизведения диска в формате MP3 нажмите и удерживайте эту кнопку, чтобы воспроизведение перешло на 10 треков вперед.
- 3) В режиме остановки нажмите эту клавишу, чтобы создать программу воспроизведения треков. С помощью кнопки поиска выберите желаемый трек. Нажав на эту кнопку снова, выбранный трек будет занесен в память программы. Повторите операцию выбора и занесения треков в память программы, а затем нажмите кнопку PLAY, чтобы начать воспроизведение созданной программы.

6. Функция блокировки кнопок

При перемещении переключателя вправо происходит блокировка всех кнопок проводного пульта дистанционного управления. Блокировка кнопок снимается перемещением переключателя влево.

7. Разъем для подключения наушников

Подключите к гнезду наушники, входящие в комплект

8. Кнопка уменьшения громкости

С помощью этой кнопки вы

можете уменьшить уровень звука.

9. Кнопка увеличения громкости

С помощью этой кнопки вы можете увеличить уровень звука.

10. Жидкокристаллический дисплей

На дисплее отображается текущее время воспроизведения и другая информация.

ПИТАНИЕ ОТ ЭЛЕКТРОСЕТИ И БАТАРЕЙ


1. При питании системы от электросети:

- 1) Убедитесь в том, что АС адаптер соответствует напряжению вашей электросети.
- 2) Используйте только АС адаптер, входящий в комплект плеера. Никогда не используйте другие адаптеры, рассчитанные на другое напряжение и силу тока. Это может привести к возникновению неисправностей системы.
- 3) Никогда не дотрагивайтесь до адаптера влажными руками, это опасно.
- 4) Отключите систему, прежде чем извлекать из сети штекер

РУССКИЙ

- адаптера.
- 5) Никогда не разбирайте AC адаптер самостоятельно, так как это может привести к возникновению неисправностей.
 - 6) Если вы не используете адаптер, отсоедините его сетевой розетки.
- 2. При питании системы от батарей (аккумуляторные батареи):**
- 1) Система может заряжаться автоматически, для этого Вам необходимо выполнить следующие действия:
 - Правильно установите аккумуляторы в систему или во внешний батарейный отсек, затем подключите AC адаптер и включите систему.
 - Для зарядки аккумуляторных батарей во внешнем батарейном отсеке вставьте штекер внешнего батарейного отсека в соответствующее гнездо на плеере (EXT-BATT). Если вы заряжаете аккумуляторные батареи в самом плеере, пожалуйста, **ОТКЛЮЧИТЕ** штекер внешнего дополнительного отсека для батарей.
 - Извлеките диск из системы, затем нажмите PLAY, чтобы включить систему. При этом на LCD-дисплее проводного
 - 2) Для полной зарядки аккумуляторных батарей необходимо 10 часов. Система автоматически отключится, когда истечет установленное время зарядки. *Примечание: Для обеспечения более полной зарядки батарей не нажимайте кнопку STOP.*
 - 3) Для полной зарядки аккумуляторов 1200 мА/ч необходимо 10 часов. При зарядке батарей другой мощности с помощью кнопок перехода к предыдущему /следующему треку установите нужное время зарядки.
 - 4) Во время зарядки батареи система будет незначительно нагреваться, это нормально.
 - 5) Не пытайтесь подзарядить полностью заряженные батареи, это сократит срок их службы.
 - 6) Если на жидкокристаллическом

РУССКИЙ

- дисплее появится символ , это означает, что напряжение аккумуляторных батарей слишком низкое, и они нуждаются в перезарядке.
- 6) Никогда не используйте батареи без изолированного корпуса, это может привести к короткому замыканию и повреждению плеера.
- 7) Никогда не используйте вместе новую и старую батареи, или батареи разных моделей.
- 8) Не забывайте извлекать батареи, если система получает питание от другого источника.
- 9) Не пытайтесь перезарядить обычные сухие батареи. Это может привести к взрыву и утечки жидкости батарей.
- 10) Использование некачественных дисков или батарей может сократить срок службы плеера.
- неисправностей или поломке плеера.
- 2) Не трогайте руками считывающую линзу лазера, не прикасайтесь к ней твердыми предметами.
- 3) Не кладите на систему тяжелые предметы, это может привести к ее повреждению.
- 4) Не используйте систему в условиях продолжительной встряски или ударов, это может привести к сокращению срока службы считывающего механизм.
- 5) Если при воспроизведении качественных дисков наблюдаются недостатки в звучании, используйте специальные диски для очистки считывающей линзы лазера.
- 6) Частое использование дисков "два в одном" также может привести к сокращению срока службы линзы.
- 7) Никогда не используйте некачественные или деформированные диски, так как это может привести к повреждению линзы лазера.
- 8) Никогда не проигрывайте грязные диски.

УХОД ЗА СИСТЕМОЙ И ДИСКАМИ

1. Уход за системой

- 1) Перед использованием системы внимательно прочтите инструкцию по эксплуатации, так как неправильная эксплуатация может привести к возникновению

2. Уход за дисками:

- 1) Содержите диски в чистоте. Держите их за края и внутреннее отверстие.

РУССКИЙ

- 2) Никогда не наклеивайте бумагу или скотч на поверхность диска.
- 3) Не подвергайте диски воздействию солнечных лучей, не держите диски вблизи нагревательных приборов. Это может привести к повреждению диска и невозможности его использования.
- 4) Не допускайте соприкосновения диска с твердыми предметами. Не царапайте диск.
- 5) После окончания воспроизведения поместите диск в специальный футляр.

МЕРЫ ПРЕДОСТОРОЖНОСТИ:

- 1) В этой системе используется лазерное устройство, при этом имеет место лазерное излучение. Не допускайте прямого попадания лазерного луча в глаза.
- 2) Если в системе замечена неисправность, вызванная попаданием внутрь системы предметов или жидкости, немедленно отключите систему от электросети. Не открывайте крышку корпуса системы, чтобы провести самостоятельный ремонт системы. Ремонт системы должен осуществляться квалифицированным специалистом.
- 3) Никогда не вставляйте никаких предметов в гнезда или отверстия системы.
- 4) Удостоверьтесь в том, что батареи или AC адаптер отключены, если вы их не используете.
- 5) Не используйте систему в ванной комнате или других местах, для которых характерна высокая влажность/высокая температура.

ПРЕДУПРЕЖДЕНИЕ:

Изготовитель не несет ответственности в следующих случаях:

- 1) Повреждение системы вследствие ее эксплуатации без учета рекомендаций инструкции по эксплуатации.
- 2) Неисправности системы, вызванные неправильной установкой батарей или "протечкой" батарей.
- 3) Модель повреждена вследствие использования другого AC адаптера.
- 4) Система была разобрана и отремонтирована самостоятельно
- 5) Другие механические повреждения системы

РУССКИЙ

НЕИСПРАВНОСТИ И СПОСОБЫ ИХ УСТРАНЕНИЯ

ОПИСАНИЕ НЕИСПРАВНОСТИ	ВОЗМОЖНЫЕ ПРИЧИНЫ	СПОСОБЫ УСТРАНЕНИЯ
Система не включается	<ol style="list-style-type: none"> 1. Батареи плохо заряжены или неправильно установлены 2. Неправильно подключен АС адаптер 3. Штекер DC 4.5 В или гнездо загрязнены 4. Недостаточная мощность батарей 5. Активирована функция блокировки кнопок 	<ol style="list-style-type: none"> 1. Перезарядите батареи 2. Правильно подключите видео адаптера к розетке. 3. Очистите гнездо и штекер 4. Подзарядите батареи или используйте новые. 5. Переместите влево переключатель HOLD, чтобы снять блокировку.
Нет воспроизведения после загрузки диска или на дисплее отображается надпись "NO DISC" (диск отсутствует)	<ol style="list-style-type: none"> 1. Считывающая линза лазера загрязнена 2. Диск вставлен не правильно 3. Диск загрязнен 4. Деформированный или поцарапанный диск 5. Плохое качество диска (пиратский диск) 	<ol style="list-style-type: none"> 1. Используйте очищающий диск, чтобы очистить линзу 2. Установите диск правильно 3. Используйте специальное очистительное средство для очистки диска 4. Используйте качественный диск 5. Используйте оригинальный диск
На экране нет изображения	<ol style="list-style-type: none"> 1. Штекер видео-кабеля окислился или загрязнен 2. Плохо закреплено гнездо, что вызывает плохой контакт 3. Видео-кабель имеет внутренние разрывы 4. Видео-кабель подключен к телевизору неправильно 5. Установлен диск в формате CD или Mp3 	<ol style="list-style-type: none"> 1. Очистите штекер 2. Закрепите или замените гнездо 3. Используйте новый видео-кабель 4. Подключите видео-кабель к телевизору в соответствии с инструкцией 5. Используйте оригинальный диск в формате VCD.
Отсутствует звук	<ol style="list-style-type: none"> 1. Активирована функция отключения звука MUTE 2. Разрыв аудио-кабеля 3. Установлен слишком низкий уровень громкости 4. Неправильно подключены аудио- и видео-кабели 5. Неправильно подключен аудио-кабель 	<ol style="list-style-type: none"> 1. С помощью беспроводного пульта дистанционного управления деактивируйте функцию отключения звука 2. Замените аудио-кабель на новый такого же типа 3. Поверните регулятор громкости влево 4. Подключите аудио- и видео-кабели в соответствии с инструкцией 5. Правильно подключите аудио-кабель
Плохое звучание	<ol style="list-style-type: none"> 1. Некачественный диск 2. Диск поцарапан 3. Штекер видео-кабеля окислился или загрязнен 	<ol style="list-style-type: none"> 1. Используйте оригинальный качественный диск 2. Используйте новый диск 3. Используйте очищающий диск
Адаптер АС не подключается	<ol style="list-style-type: none"> 1. Штекер адаптера окислен 2. Кабель АС адаптера имеет разрывы 	<ol style="list-style-type: none"> 1. Очистите штекер от окисления 2. Замените АС адаптер на новый такого же типа
Не работает беспроводной пульт дистанционного управления	<ol style="list-style-type: none"> 1. Окислилась батарея пульта или недостаточная мощность батарей 2. Пульт дистанционного управления находится слишком далеко от системы 3. Пульт загрязнен 	<ol style="list-style-type: none"> 1. Замените батареи на новые 2. Расстояние от пульта управления до системы должно быть не более трех метров 3. Очистите пульт

РУССКИЙ

ТЕХНИЧЕСКАЯ СПЕЦИФИКАЦИЯ

- Диапазон воспроизводимых частот: 20-20000 Гц
- Коэффициент нелинейных искажения: < 0.01%
- Сигнал/шум: >80 Дб
- Наушники, мощность на выходе: 15 мВт + 15 мВт (32 Ома)
- Разделение аудио-каналов: > 70 Децибел
- Видео, уровень сигнала на выходе: 1VP-P
- Аудио, уровень сигнала на выходе: 0.8 В +/- 0.2 В
- Разрешение изображения: PAL: 352 x 288; NTSC: 352 x 240
- Поддерживаемые версии дисков в формате VCD: 1.0 1.1 2.0
- Четкость изображения: > 255
- Поддерживаемые форматы дисков: CD / CD-R / CD-RW / MP3 / VCD / DVCD
- Сетевой AC адаптер: AC 230 В ±10%, ~50 Гц (вход), DC 4.5В 800 мА (выход)
- Аккумуляторные батареи: F6L.NI-MH 1.2 В x 2
- Батареи внешнего дополнительного отсека: R06: AA-1.5В x 2 или AA-1.2В x 2 (аккумуляторные батареи).
- Потребляемая мощность: < 2 Вт
- Время действия функции защиты ESP: CD -120 сек / MP3 - 480 сек / VCD - 60 сек
- Температура окружающей среды при эксплуатации: 5°C - 40°C
- Влажность окружающей среды: 10% - 90% (не допускать замерзания)
- Температура для хранения: 10°C - 25°C
- Габаритные размеры: длина 135 мм; толщина 15.5 мм
- Масса: около 158 г (без батарей)

Изготовитель оставляет за собой право на внесение изменений в дизайн и технические характеристики модели, без предварительного уведомления.

СРОК СЛУЖБЫ ПРИБОРА НЕ МЕНЕЕ 5 ЛЕТ

