

# ICF-C211/C211L

## SERVICE MANUAL

Ver 1.2 2001.03  
With SUPPLEMENT-1  
(9-927-903-81)  
With SUPPLEMENT-2  
(9-927-903-82)

*UK Model*  
*E Model*  
*Australian Model*  
ICF-C211  
*AEP Model*  
ICF-C211/C211L



Photo : ICF-C211

### SPECIFICATIONS

**Time display:** 12 hour (Central & South America, Australian, UK model)  
24 hour (AEP, Italian, East European & Russian, Argentina,  
Singapore model)

**Frequency range**

FM: 87.5 – 108 MHz

AM: 530 – 1,710 kHz (ICF-C211: Central & South America model)

AM: 531 – 1,602 kHz (ICF-C211: AEP, UK, East European &  
Russian, Argentina, Australian, Singapore model)

AM: 526.5 – 1,606.5 kHz (ICF-C211: Italian model)

LW: 153 – 255 kHz (ICF-C211L)

**Speaker:** Approx. 6.6 cm (2 5/8 inches) dia., 8 ohm

**Power output:** 150 mW (at 10 % harmonic distortion)

**Power requirements:**

Central & South America model

120 V AC, 60 Hz

AEP, UK, Italian, East European & Russian, Argentina, Australian,  
Singapore model

220 - 230 V AC, 50 Hz

For the power back-up function: 9 V DC, one 6F22 battery

**Battery life:** Approx. 80 hours, using Sony S-006P(U) battery

**Dimensions:** Approx. 170 x 65 x 149.5 mm (w/h/d)

(6 3/4 x 2 5/8 x 6 inches) incl. projecting parts and controls

**Mass:**

EXCEPT UK model: Approx. 520 g (1 lb 3 oz) not incl. battery

UK model: Approx. 570 g (1 lb 4 oz) not incl. battery

Design and specifications are subject to change without notice.

ICF-C211  
FM/AM CLOCK RADIO

ICF-C211L  
FM/LW CLOCK RADIO

## TABLE OF CONTENTS

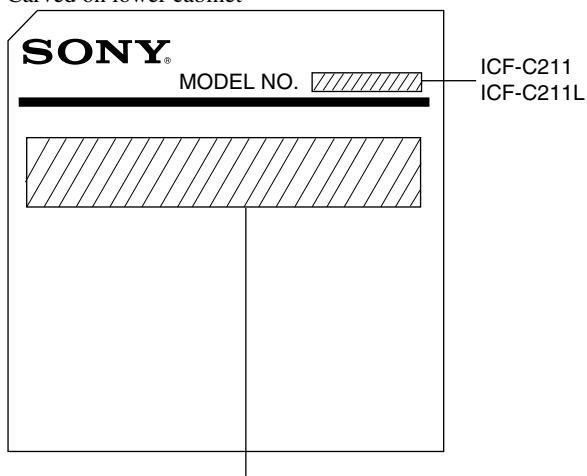
Specifications .....	1
<b>1. GENERAL</b>	
Location and Function of Controls .....	3
<b>2. DISASSEMBLY</b>	
2-1. Cabinet (Upper) .....	5
2-2. Transformer Board .....	5
2-3. Main Board .....	5
Installation Power Cord .....	6
<b>3. ELECTRICAL ADJUSTMENT</b> .....	7
<b>4. DIAGRAMS</b>	
4-1. Printed Wiring Boards .....	9
4-2. Schematic Diagram .....	11
<b>5. EXPLODED VIEW</b> .....	15
<b>6. ELECTRICAL PARTS LIST</b> .....	17

### SAFETY-RELATED COMPONENT WARNING!!

COMPONENTS IDENTIFIED BY MARK  $\triangle$  OR DOTTED LINE WITH MARK  $\triangle$  ON THE SCHEMATIC DIAGRAMS AND IN THE PARTS LIST ARE CRITICAL TO SAFE OPERATION. REPLACE THESE COMPONENTS WITH SONY PARTS WHOSE PART NUMBERS APPEAR AS SHOWN IN THIS MANUAL OR IN SUPPLEMENTS PUBLISHED BY SONY.

### MODEL IDENTIFICATION

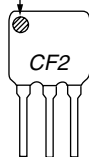
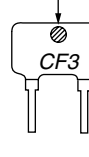
– Model Number Portion –  
Carved on lower cabinet



Central & South America model :  
AC : 120V ~ 60Hz 5W  
AEP, UK, Italian, East European & Russian, Argentina,  
Australian, Singapore model : AC : 220 – 230V ~ 50Hz 5W

### • HOW TO CHANGE THE CERAMIC FILTER

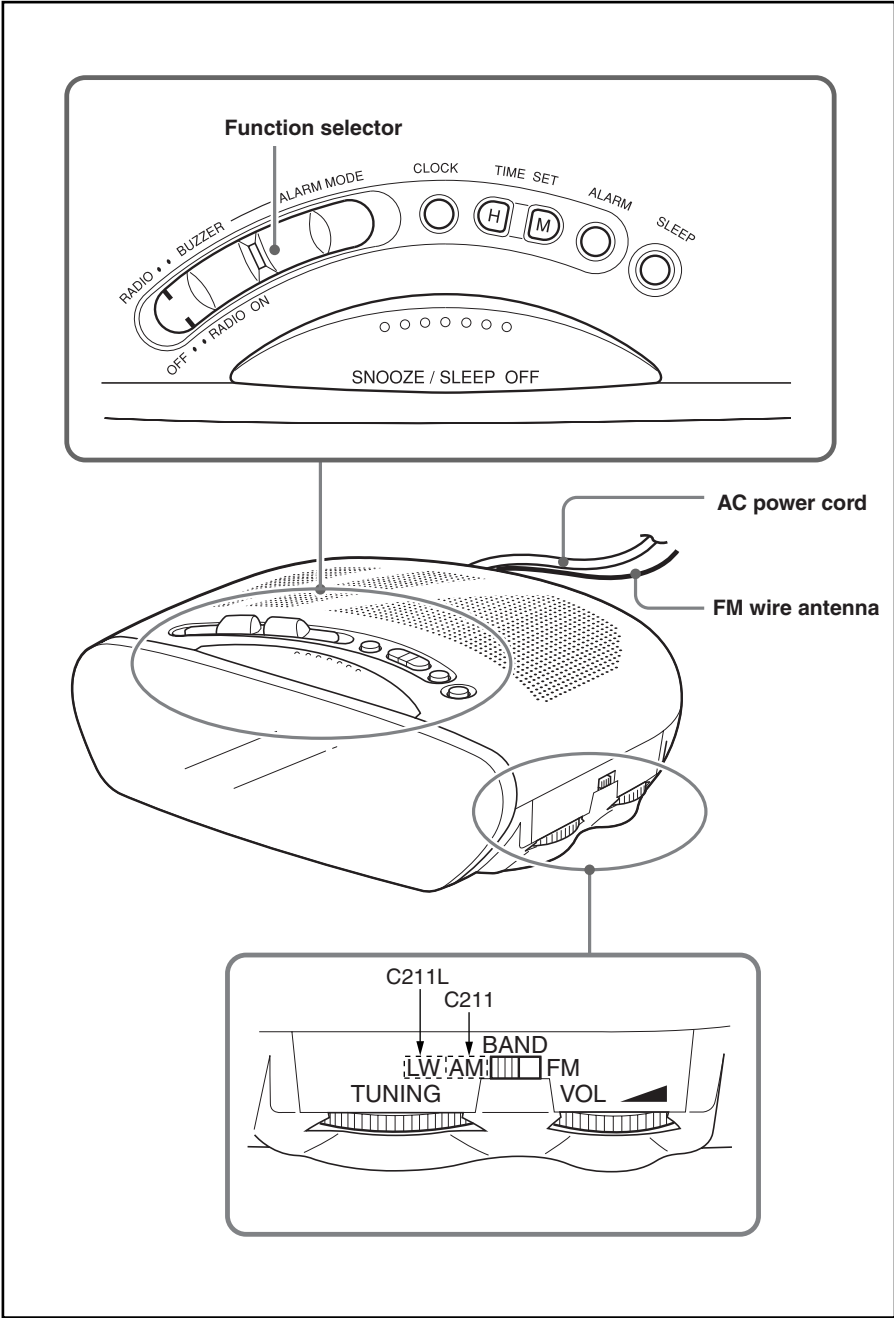
This model is used two ceramic filters of CF2 and CF3.  
You must use same type of color marked ceramic filters in order to meet same specifications.  
Therefore, the ceramic filter must change two pieces together since it's supply two pieces in package as a spare parts.

<i>mark</i> 	<i>mark</i> 	<b>Mark</b>	<b>Center frequency</b>
		no mark	10.70MHz
		blue	10.67MHz
		orange	10.73MHz
		black	10.64MHz
		white	10.76MHz

# SECTION 1 GENERAL

This section is extracted from instruction manual.

## LOCATION AND FUNCTION OF CONTROLS



---

## Setting the Clock

1. Plug in the unit.  
The display will flash "AM 12:00".
  2. To set the hour, while holding down **CLOCK**, press **TIME SET H**. When the correct hour appears in the display, release **CLOCK**.
  3. To set the minute, while holding down **CLOCK**, press **TIME SET M**. When the correct minute appears in the display, release **CLOCK**. The clock will begin to operate when you release **TIME SET M**.
- Each press on **TIME SET H** or **TIME SET M** advances the displayed number by one.
  - The minute digits advance to "00" after "59". The hour digits do not advance by pressing **TIME SET M**.
  - To adjust the time exactly to the second, release **TIME SET M** simultaneously with the time signal.

---

## Playing the Radio

1. Set the Function selector to **RADIO ON** to turn on the radio and adjust **VOL.** (volume)
  2. Select **BAND** and tune in a station using **TUNING**.
- To turn off the radio, set the Function selector to **OFF**.
  - To improve radio reception
    - FM:** Extend the FM wire antenna fully to improve reception.
    - AM:** Reorient the unit for optimum reception.A ferrite bar antenna is built into the unit.

Do not operate the unit over a steel desk or metal surface, as this may lead to interference of reception.

---

## Setting the Alarm

To set the radio alarm, first tune in a station and adjust the volume.

1. To set the hour for alarm, while holding down **ALARM**, press **TIME SET H**. When the desired hour appears in the display, release **ALARM**.
  2. To set the minute for alarm, while holding down **ALARM**, press **TIME SET M**. When the desired minute appears in the display, release **ALARM**.
  3. Set the Function selector to **ALARM MODE RADIO** or **ALARM MODE BUZZER**.  
The alarm will come on at the preset time and automatically turn itself off after 119 minutes.
- To shut off the alarm, set the Function selector to **OFF**.  
To sound the alarm at the preset time the next day, set the Function selector to **ALARM MODE RADIO** or **ALARM MODE BUZZER** again.
  - To cancel either alarm, set the Function selector to **OFF**.
  - To doze a few more minutes, press **SNOOZE/SLEEP OFF**.  
The alarm will shut off, but will come on again after about 9 minutes. You can repeat this process as many times as you like.
  - To adjust the radio alarm volume, turn **VOL**. The buzzer volume is fixed.
  - To check the preset time, press **ALARM**.

---

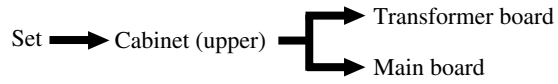
## Setting the Sleep Timer

Enjoy falling asleep to the radio using the built-in sleep timer that shuts off the radio automatically at a preset time.

1. While listening to the radio, set the Function selector to **OFF**.
  2. Press **SLEEP**.  
The radio turns on. It will go off after 59 minutes.
- To turn off the radio before the preset time, press **SNOOZE/SLEEP OFF**.
  - Every time you press **SLEEP**, the sleep timer is reset to 59 minutes.
  - When you set the Function selector to **ALARM MODE RADIO** or **ALARM MODE BUZZER**, if the preset alarm time comes while the sleep timer is operating, the radio or buzzer sounds depending on which you set.

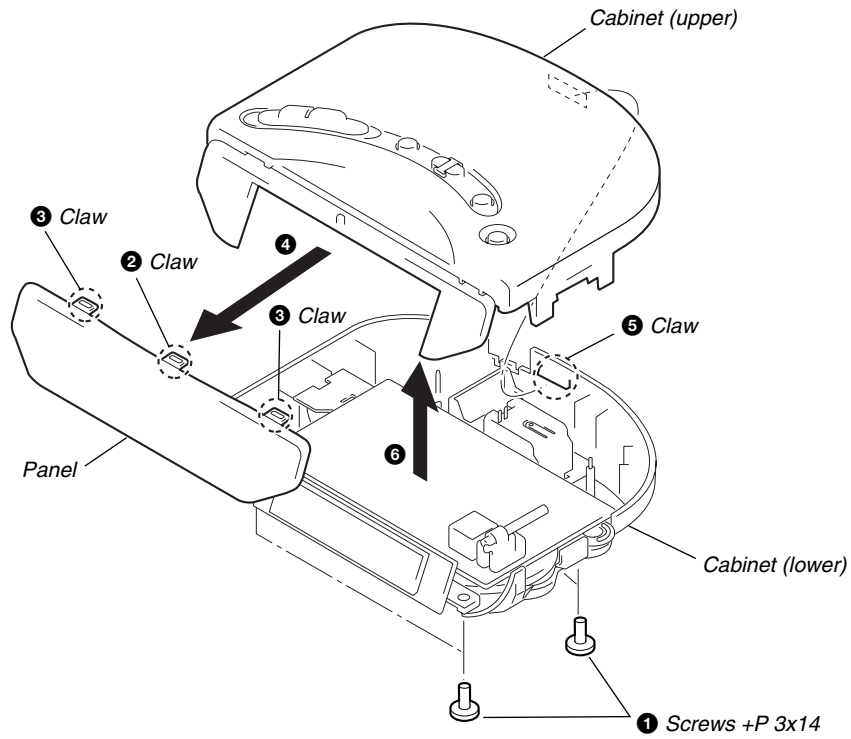
## SECTION 2 DISASSEMBLY

- The equipment can be removed using the following procedure.

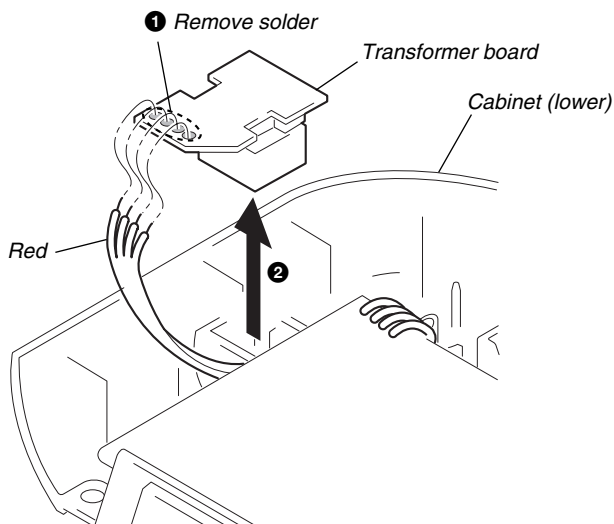


**Note :** Follow the disassembly procedure in the numerical order given.

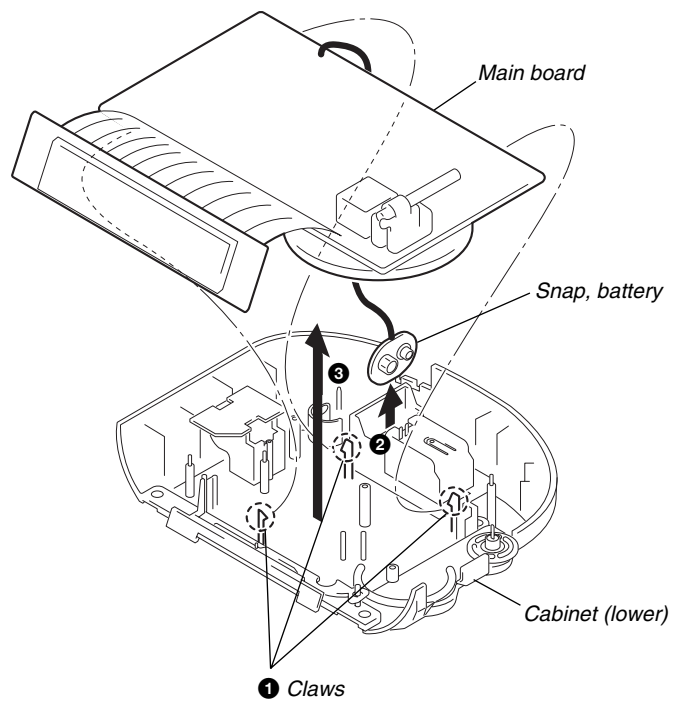
### 2-1. CABINET (UPPER)



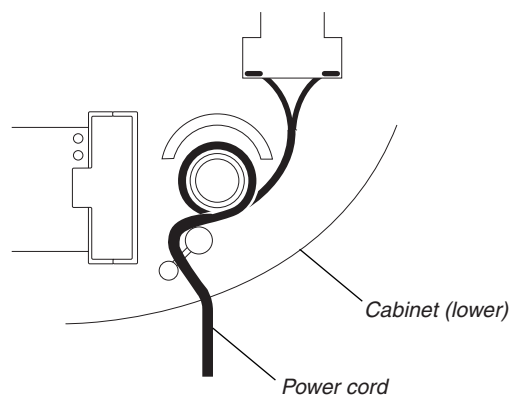
### 2-2. TRANSFORMER BOARD



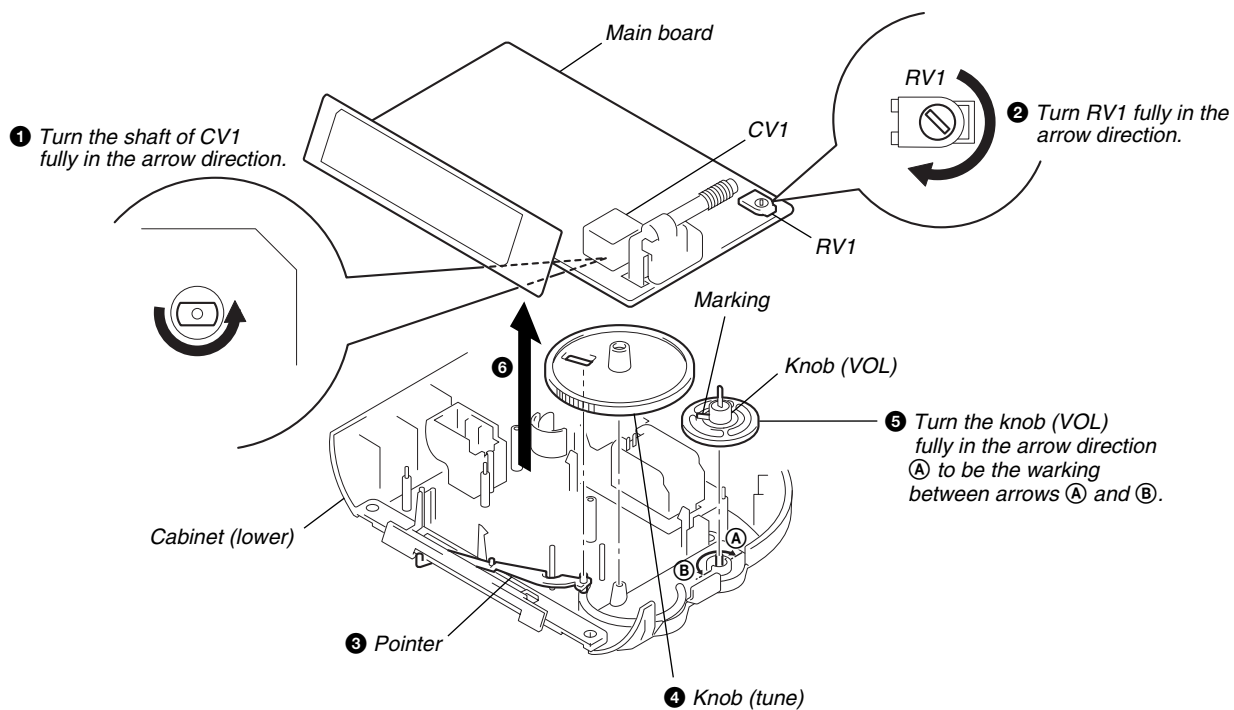
### 2-3. MAIN BOARD



## INSTALLATION POWER CORD



## NOTE FOR INSTALLATION (KNOB (VOL), KNOB (TUNE))



## SECTION 3 ELECTRICAL ADJUSTMENTS

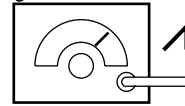
### TUNER SECTION

#### AM/LW Section

##### Procedure :

BAND : AM (C211)  
LW (C211L)  
VOLUME : MIN

AM RF signal generator  
Put the lead-wire antenna close to the set.



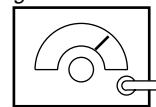
30% amplitude modulation by 400Hz signal.  
Output level : as low as possible

#### FM Section

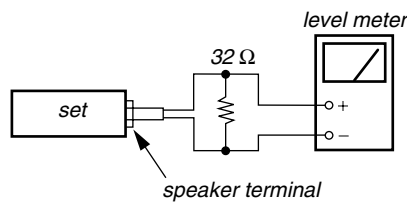
##### Procedure :

BAND : FM  
VOLUME : MIN

FM RF signal generator  
0.01 $\mu$ F antenna terminal (JW1)



22.5kHz frequency deviation by 400Hz signal.  
Output level : as low as possible



- Repeat the procedures in each adjustment several times, and the frequency coverage and tracking adjustments should be finally done by the trimmer capacitors.

< > : Italian model

AM IF ADJUSTMENT	
Adjust for a maximum reading on level meter.	
T1	455kHz

#### C211

AM FREQUENCY COVERAGE ADJUSTMENT	
Adjust for a maximum reading on level meter.	
L4	520kHz <516.5kHz>
CT4	1,750kHz <1631.5kHz>

AM TRACKING ADJUSTMENT	
Adjust for a maximum reading on level meter.	
L1	620kHz
CT1	1,400kHz

#### C211L

LW FREQUENCY COVERAGE ADJUSTMENT	
Adjust for a maximum reading on level meter.	
L4	145kHz
CT6	265kHz

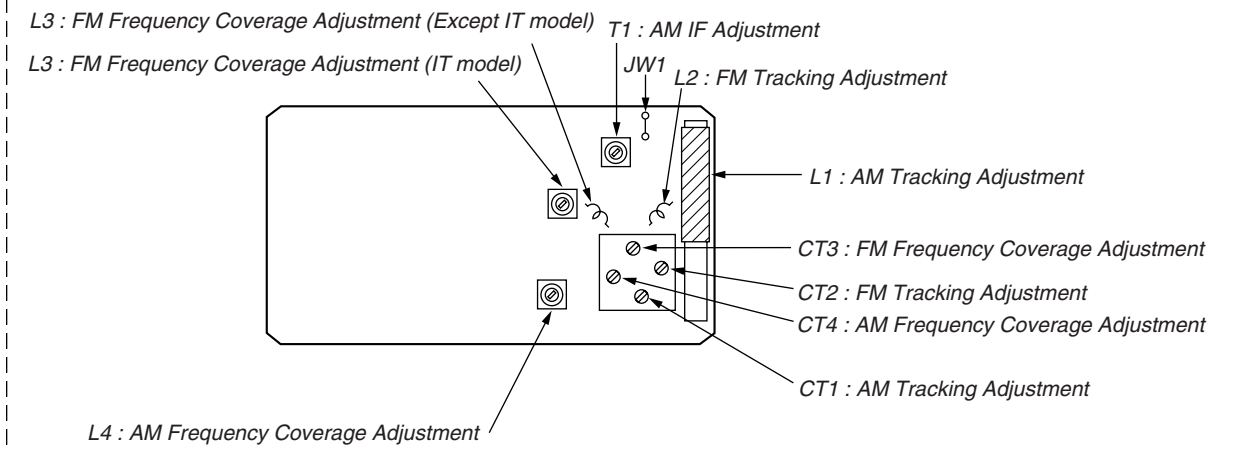
LW TRACKING ADJUSTMENT	
Adjust for a maximum reading on level meter.	
L1	145kHz
CT5	265kHz

FM FREQUENCY COVERAGE ADJUSTMENT	
Adjust for a maximum reading on level meter.	
L3	86.5MHz <87.35MHz>
CT3	109.5MHz <108.25MHz>

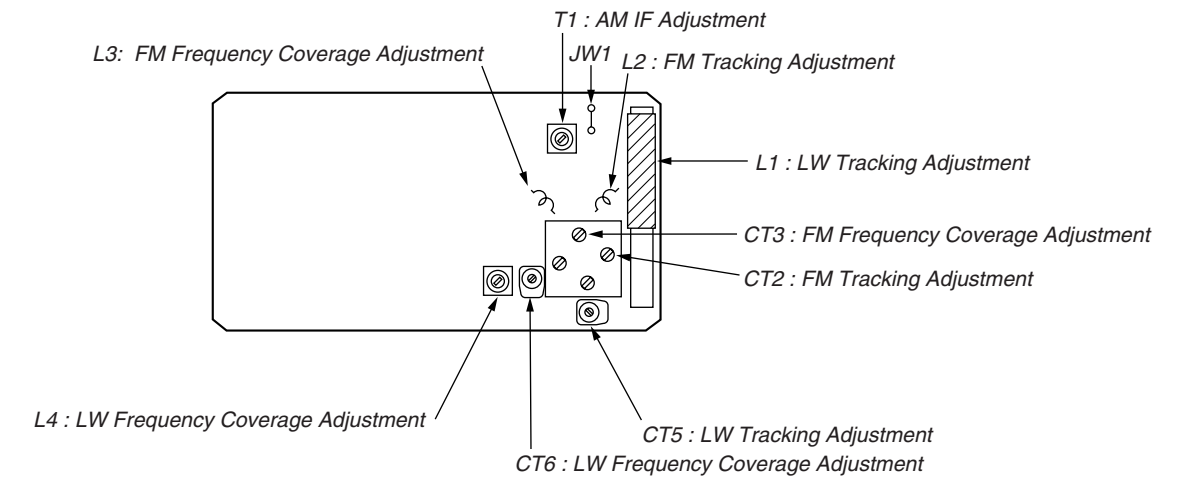
FM TRACKING ADJUSTMENT	
Adjust for a maximum reading on level meter.	
L2	86.5MHz <87.35MHz>
CT2	109.5MHz <108.25MHz>

Adjustment Location : Main board (Component side)

#### ICF-C211

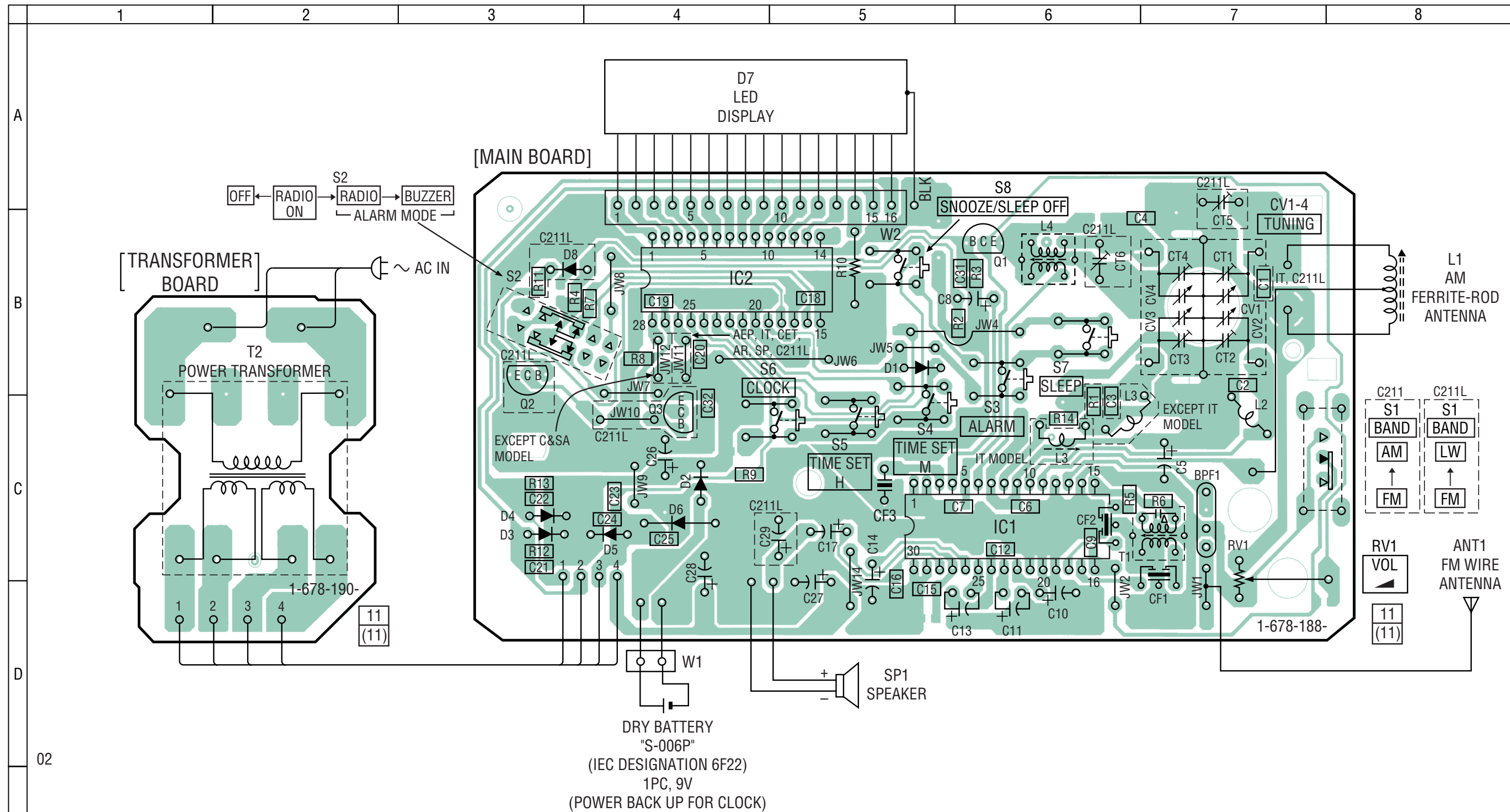


#### ICF-C211L



SECTION 4  
DIAGRAMS

4-1. PRINTED WIRING BOARDS



● Semiconductor Location

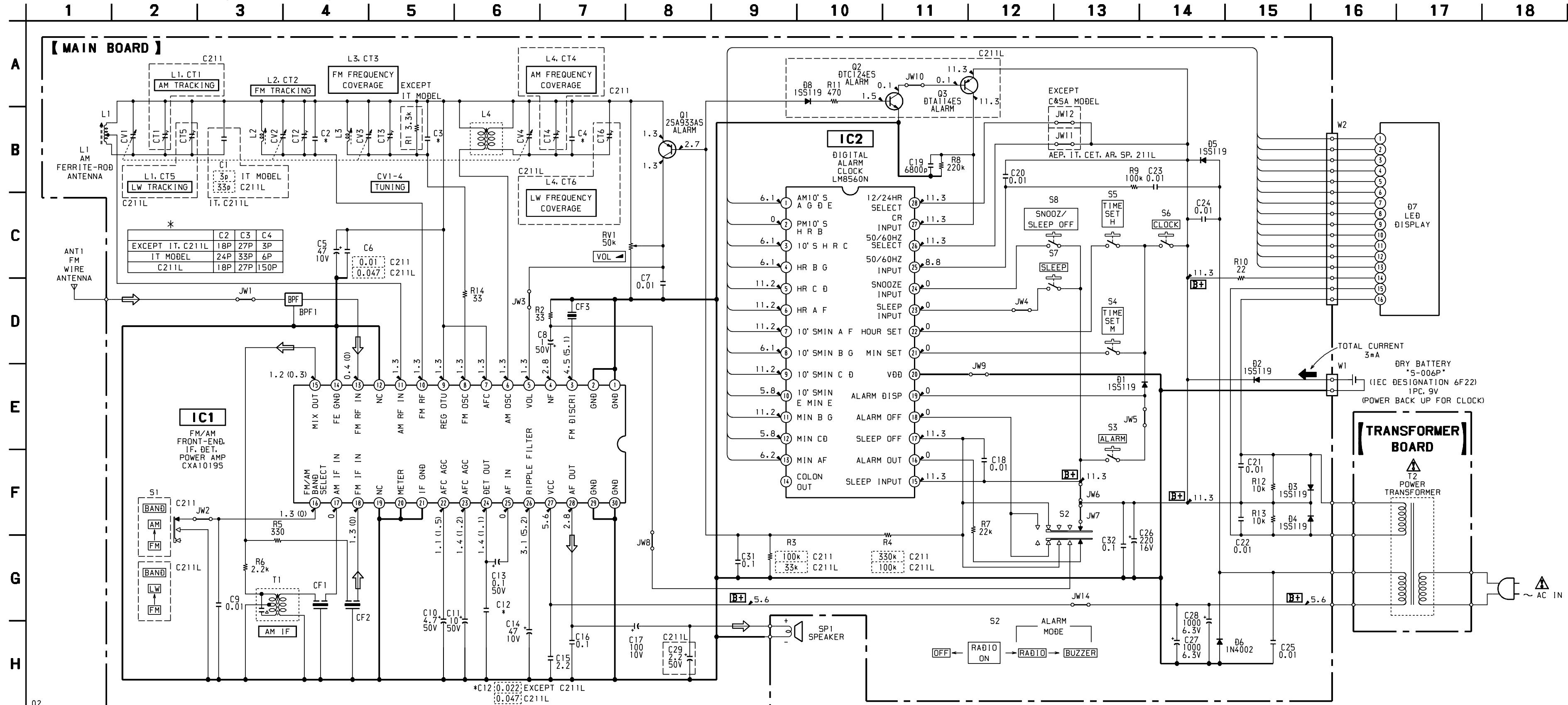
Ref. No.	Location	Ref. No.	Location
D1	B-5	IC1	C-6
D2	C-4	IC2	B-4
D3	C-3		
D4	C-3		
D5	C-4	Q1	B-6
		Q2	B-3
D6	C-4	Q3	C-4
D7	A-4		
D8	B-3		

Note:

- : parts extracted from the component side.
- △ : internal component.
- ▨ : Pattern from the side which enables seeing.
- Abbreviation  
 AUS : Australian    SP : Singapore  
 AR : Argentine    IT : Italian  
 CET : East European & Russian  
 C&SA : Central & South America



4-2. SCHEMATIC DIAGRAM • Refer to page 14 for IC Block Diagrams.



**Note:**

- All capacitors are in  $\mu\text{F}$  unless otherwise noted. pF:  $\mu\text{F}$  50 WV or less are not indicated except for electrolytics and tantalums.
- All resistors are in  $\Omega$  and  $1/4\text{W}$  or less unless otherwise specified.
- $\Delta$ : internal component.

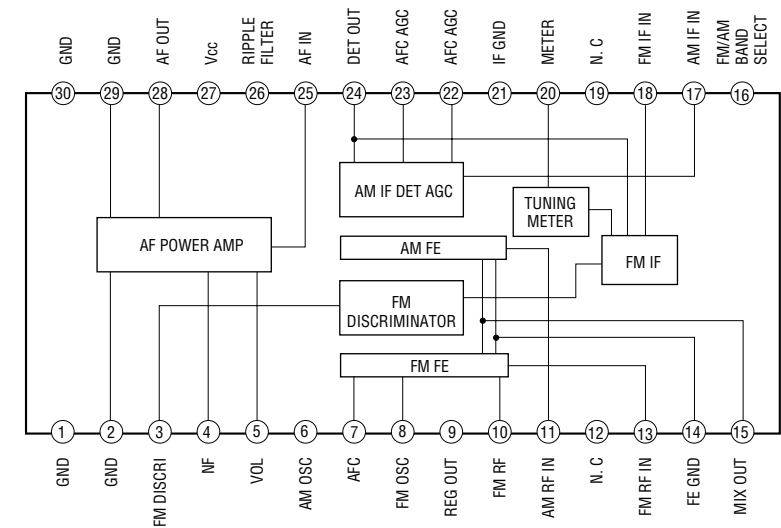
**Note:** The components identified by mark  $\Delta$  or dotted line with mark  $\Delta$  are critical for safety. Replace only with part number specified.

- B+**: B+ Line.
- Voltages are dc with respect to ground under no-signal conditions.
- no mark: FM
- ( ): AM/LW
- Voltages are taken with a VOM (Input impedance 10 M $\Omega$ ).
- Voltage variations may be noted due to normal production tolerances.

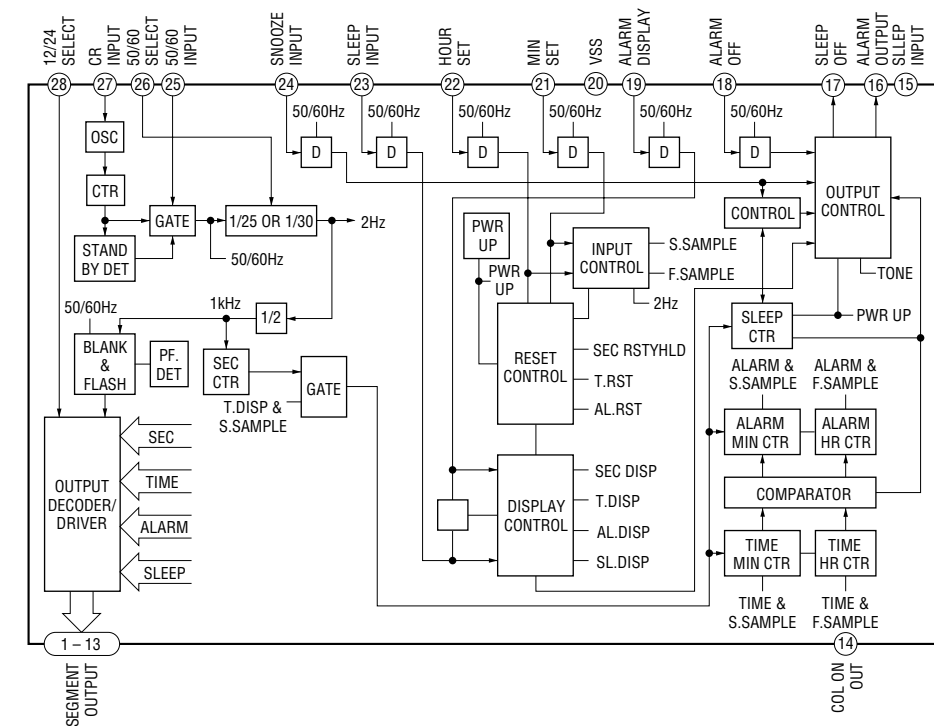
- Signal path.
- $\square$ : FM
- Abbreviation
- AUS: Australian SP: Singapore
- AR: Argentine IT: Italian
- CET: East European & Russian
- C&SA: Central & South America

● IC Block Diagrams

IC1 CXA1019S



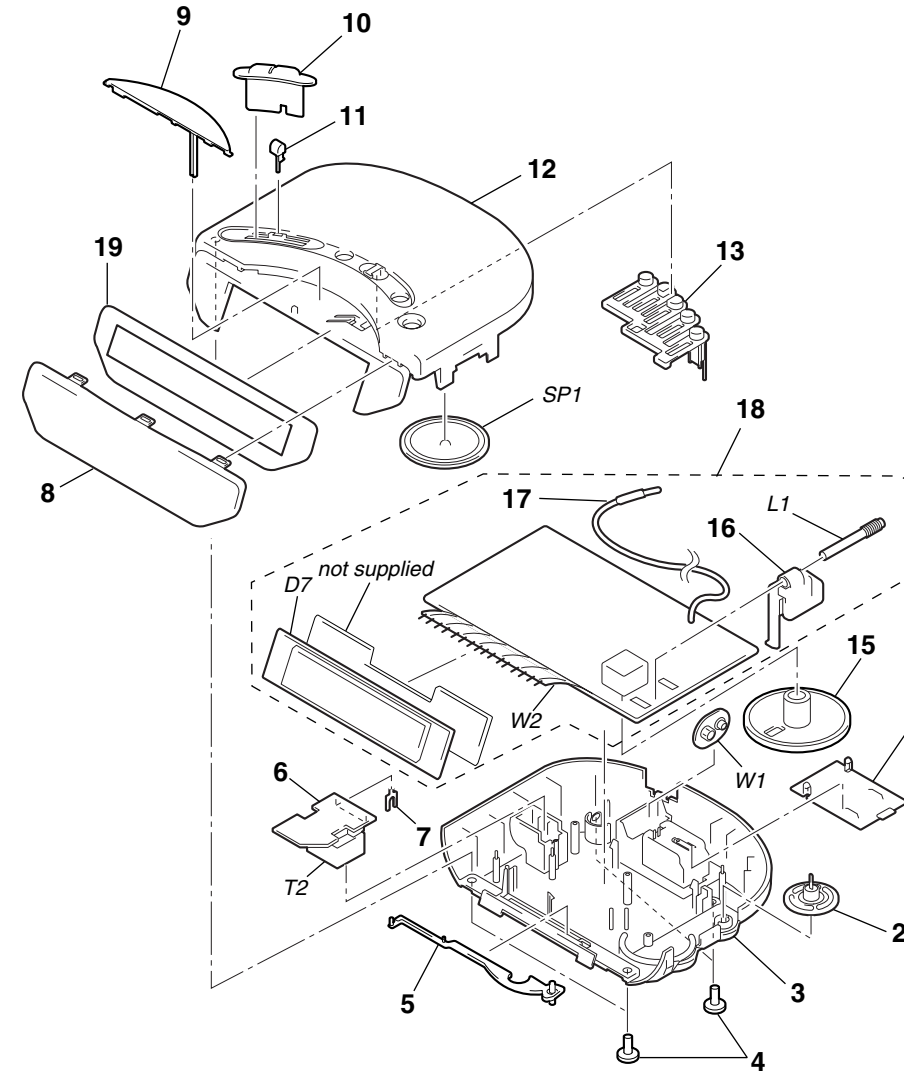
IC2 LM8560N



SECTION 5  
EXPLODED VIEW

NOTE :

- XX, -X mean standardized parts, so they may have some difference from the original one.
- Color indication of Appearance Parts Example : KNOB, BALANCE (WHITE) ••• (RED)
- Items marked “\*” are not stocked since they are seldom required for routine service. Some delay should be anticipated when ordering these items.
- The mechanical parts with no reference number in the exploded views are not supplied.
- Accessories and packing materials are given in the last of this parts list.
- Abbreviation  
IT : Italian AR : Argentine  
AUS : Australian SP : Singapore  
C&SA : Central & South America  
CET : East European & Russian



The components identified by mark Δ or dotted line with mark Δ are critical for safety.  
Replace only with part number specified.

Ref. No.	Part No.	Description	Remark	Ref. No.	Part No.	Description	Remark
1	3-369-135-21	LID, BATTERY CASE		13	3-044-215-11	BUTTON (CLOCK) (WHITE)	
2	3-919-268-01	KNOB (VOL)		Δ 14	1-555-795-00	CORD, POWER (C211:AEP,CET,IT,SP,C211L)	
3	3-044-213-01	CABINET (LOWER) (BLACK) (C&SA)		Δ 14	1-696-572-11	CORD, POWER (UK)	
3	3-044-213-11	CABINET (LOWER) (WHITE) (C&SA)		Δ 14	1-790-124-11	CORD, POWER (AR)	
3	3-044-213-21	CABINET (LOWER) (BLACK) (C211:AEP,CET,IT,UK,AR,SP,AUS)		Δ 14	1-790-431-11	CORD, POWER (AUS)	
				Δ 14	1-769-339-22	CORD, POWER (C&SA)	
				15	3-044-228-01	KNOB (TUNE)	
				16	3-044-220-01	HOLDER (ANT)	
				17	1-754-135-11	ANTENNA (WIRE)	
3	3-044-213-31	CABINET (LOWER) (WHITE) (C211:AEP,CET,IT,UK,AR,SP,AUS)		* 18	A-3683-197-A	MAIN BOARD, COMPLETE (C211:C&SA)	
4	7-685-649-79	SCREW+P 3X14 TYPE2 NON-SLIT		* 18	A-3683-198-A	MAIN BOARD, COMPLETE (C211:AEP,CET,AR,SP)	
5	3-044-217-01	POINTER					(C211:AEP,CET,AR,SP)
* 6	1-678-190-11	TRANSFORMER BOARD		* 18	A-3683-199-A	MAIN BOARD, COMPLETE (C211:IT)	
* 7	1-535-771-11	TERMINAL (EXCEPT C&SA)		* 18	A-3683-200-A	MAIN BOARD, COMPLETE (C211L)	
8	3-044-214-01	PANEL (C&SA, UK, AUS)		* 18	A-3683-201-A	MAIN BOARD, COMPLETE (C211:UK, AUS)	
8	3-044-214-11	PANEL (C211:AEP,CET,AR,SP)		19	3-049-753-01	PLATE, BACK	
8	3-044-214-21	PANEL (IT)		D7	8-749-016-85	DIODE SL-1998-79T	
							(AEP,CET,IT,AR,SP,C211L)
8	3-044-214-31	PANEL (C211L)		D7	8-749-016-84	DIODE SL-1998-78T (C&SA, UK, AUS)	
9	3-044-216-01	BUTTON (SNOOZE) (BLACK)		L1	1-419-535-11	COIL, FERRITE-ROD ANTENNA (LW TRACKING) (C211:IT, C211L)	
9	3-044-216-11	BUTTON (SNOOZE) (WHITE)		L1	1-419-532-11	COIL, FERRITE-ROD ANTENNA (AM TRACKING) (EXCEPT C211:IT, C211L)	
10	3-044-219-01	KNOB (FUNCTION) (BLACK)					
10	3-044-219-11	KNOB (FUNCTION) (WHITE)		Δ T2	1-435-400-11	TRANSFORMER, POWER (C&SA)	
				Δ T2	1-435-401-11	TRANSFORMER, POWER (C211:AEP,CET,IT,UK,AR,SP,AUS,C211L)	
				SP1	1-529-456-11	SPEAKER (6.6cm)	
11	3-044-218-01	INDICATOR		W1	1-535-804-21	SNAP, BATTERY	
12	3-044-212-01	CABINET (UPPER) (BLACK) (EXCEPT C211L)		* W2	1-769-137-11	CORD, CONNECTION (16 CORE)	
12	3-044-212-11	CABINET (UPPER) (WHITE) (EXCEPT C211L)					
12	3-044-212-21	CABINET (UPPER) (BLACK) (C211L)					
12	3-044-212-31	CABINET (UPPER) (WHITE) (C211L)					
13	3-044-215-01	BUTTON (CLOCK) (BLACK)					

# SECTION 6 ELECTRICAL PARTS LIST

MAIN

**NOTE :**

- Due to standardization, replacements in the parts list may be different from the parts specified in the diagrams or the components used on the set.
- -XX, -X mean standardized parts, so they may have some difference from the original one.
- RESISTORS  
All resistors are in ohms  
METAL : Metal-film resistor  
METAL OXIDE :Metal oxide-film resistor  
F : nonflammable
- Items marked “ \* ”are not stocked since they are seldom required for routine service. Some delay should be anticipated when ordering these items.

- SEMICONDUCTORS  
In each case, u :  $\mu$ , for example :  
uA.... :  $\mu$  A.... , uPA.... :  $\mu$  PA....  
uPB.... :  $\mu$  PB.... , uPC.... :  $\mu$  PC....  
uPD.... :  $\mu$  PD....
- CAPACITORS  
uF :  $\mu$  F
- COILS  
uH :  $\mu$  H
- Abbreviation  
IT : Italian                    AR : Argentine  
AUS : Australian            SP : Singapore  
C&SA : Central & South America  
CET : East European & Russian

The components identified by mark  $\Delta$  or dotted line with mark  $\Delta$  are critical for safety.  
Replace only with part number specified.

When indicating parts by reference number, please include the board.

Ref. No.	Part No.	Description	Remark	Ref. No.	Part No.	Description	Remark
*	A-3683-197-A	MAINBOARD, COMPLETE (C&SA)		C16	1-164-004-11	CERAMIC CHIP 0.1uF 10%	25V
*	A-3683-198-A	MAINBOARD, COMPLETE (AEP,CET,AR,SP)		C17	1-104-665-11	ELECT 100uF 20%	10V
*	A-3683-199-A	MAINBOARD, COMPLETE (IT)		C18	1-163-031-11	CERAMIC CHIP 0.01uF	50V
*	A-3683-200-A	MAINBOARD, COMPLETE (C211L)		C19	1-163-019-00	CERAMIC CHIP 0.0068uF 10%	50V
*	A-3683-201-A	MAINBOARD, COMPLETE (UK,AUS)		C20	1-163-031-11	CERAMIC CHIP 0.01uF	50V
		*****		C21	1-163-031-11	CERAMIC CHIP 0.01uF	50V
		< FILTER, BAND PASS >		C22	1-163-031-11	CERAMIC CHIP 0.01uF	50V
				C23	1-163-031-11	CERAMIC CHIP 0.01uF	50V
BPF1	1-236-022-11	FILTER, BAND PASS		C24	1-163-031-11	CERAMIC CHIP 0.01uF	50V
		< CAPACITOR >		C25	1-163-031-11	CERAMIC CHIP 0.01uF	50V
C1	1-163-220-11	CERAMIC CHIP 3PF	0.25PF 50V (IT)	C26	1-126-934-11	ELECT 220uF 20%	16V
C1	1-163-239-11	CERAMIC CHIP 33PF	5% 50V (C211L)	C27	1-126-916-11	ELECT 1000uF 20%	6.3V
C2	1-163-233-11	CERAMIC CHIP 18PF	5% 50V (EXCEPT IT)	C28	1-126-916-11	ELECT 1000uF 20%	6.3V
C2	1-163-102-00	CERAMIC CHIP 24PF	5% 50V (IT)	C29	1-126-961-11	ELECT 2.2uF 20%	50V (C211L)
C3	1-163-103-00	CERAMIC CHIP 27PF	5% 50V (EXCEPT IT)	C31	1-163-038-91	CERAMIC CHIP 0.1uF	25V
C3	1-163-105-00	CERAMIC CHIP 33PF	5% 50V (IT)	C32	1-163-038-91	CERAMIC CHIP 0.1uF	25V
C4	1-163-086-00	CERAMIC CHIP 3PF	50V (EXCEPT IT,C211L)			< FILTER >	
C4	1-163-089-00	CERAMIC CHIP 6PF	50V (IT)	CF1	1-578-677-11	FILTER, CRYSTAL (C211L)	
C4	1-163-255-11	CERAMIC CHIP 150PF	5% 50V (C211L)	CF1	1-781-790-11	FILTER AM, CERAMIC (EXCEPT C211L)	
C5	1-104-664-11	ELECT 47uF	20% 10V	CF2	1-781-861-71	FILTER, CERAMIC (COMBINATION)	
C6	1-163-031-11	CERAMIC CHIP 0.01uF	50V (C211)	CF3	1-781-861-71	FILTER, CERAMIC (COMBINATION)	
C6	1-163-035-00	CERAMIC CHIP 0.047uF	50V (C211L)			< TRIMMER >	
C7	1-163-031-11	CERAMIC CHIP 0.01uF	50V	CT1	1-141-620-11	CAP, VAR (AM TRACKING)	
C8	1-126-960-11	ELECT 1uF	20% 50V	CT2	1-141-620-11	CAP, VAR (FM TRACKING)	
C9	1-163-031-11	CERAMIC CHIP 0.01uF	50V	CT3	1-141-620-11	CAP, VAR (FM FREQUENCY COVERAGE)	
C10	1-126-963-11	ELECT 4.7uF	20% 50V	CT4	1-141-620-11	CAP, VAR (AM FREQUENCY COVERAGE)	
C11	1-126-964-11	ELECT 10uF	20% 50V	CT5	1-141-604-11	CAP, ADJ (LW TRACKING)(C211L)	
C12	1-163-033-91	CERAMIC CHIP 0.022uF	50V (EXCEPT C211L)	CT6	1-141-604-11	CAP, ADJ (LW FREQUENCY COVERAGE)	(C211L)
C12	1-163-035-00	CERAMIC CHIP 0.047uF	50V (C211L)			< VARIABLE CAPACITOR >	
C13	1-126-956-11	ELECT 0.1uF	20% 50V	CV1	1-141-620-11	CAP, VAR (TUNING)	
C14	1-104-664-11	ELECT 47uF	20% 10V	CV2	1-141-620-11	CAP, VAR (TUNING)	
C15	1-164-505-11	CERAMIC CHIP 2.2uF	16V	CV3	1-141-620-11	CAP, VAR (TUNING)	
				CV4	1-141-620-11	CAP, VAR (TUNING)	
						< DIODE >	
				D1	8-719-911-19	DIODE 1SS119-25TD	
				D2	8-719-911-19	DIODE 1SS119-25TD	
				D3	8-719-911-19	DIODE 1SS119-25TD	
				D4	8-719-911-19	DIODE 1SS119-25TD	

# ICF-C211/C211L

**MAIN**

**TRANSFORMER**

Ref. No.	Part No.	Description	Remark
D5	8-719-911-19	DIODE 1SS119-25TD	
D6	8-719-052-88	DIODE 1N4002	
D7	8-749-016-85	DIODE SL-1998-79T	
D7	8-749-016-84	DIODE SL-1998-78T (C&SA,UK,AUS)	(AEP,CET,IT,AR,SP,C211L)
D8	8-719-911-19	DIODE 1SS119-25TD	(C211L)
		< IC >	
IC1	8-752-037-02	IC CXA1019S	
IC2	8-759-821-46	IC LM8560N	
		< COIL >	
L1	1-419-535-11	COIL, FERRITE-ROD ANTENNA	(LW TRACKING) (C211L)
L1	1-419-532-11	COIL, FERRITE-ROD ANTENNA	(AM TRACKING) (C211)
* L2	1-422-320-11	COIL, AIR-CORE (FM TRACKING)	
L3	1-422-131-00	COIL, FM OSCILLATION	(FM FREQUENCY COVERAGE) (EXCEPT IT)
L3	1-406-957-11	COIL (WITH CORE)	(FM FREQUENCY COVERAGE) (IT)
L4	1-419-533-11	COIL, OSC (MW)	
		< TRANSISTOR >	
Q1	8-729-026-39	TRANSISTOR 2SA933AS-QRT	
Q2	8-729-029-86	TRANSISTOR DTC124ESA-TP	(C211L)
Q3	8-729-029-21	TRANSISTOR DTA114ESA-TP	(C211L)
		< RESISTOR >	
R1	1-216-061-00	METAL CHIP 3.3K 5%	1/10W (EXCEPT IT)
R2	1-216-013-00	METAL CHIP 33 5%	1/10W
R3	1-216-097-91	RES-CHIP 100K 5%	1/10W (C211)
R3	1-216-085-00	METAL CHIP 33K 5%	1/10W (C211L)
R4	1-216-109-00	METAL CHIP 330K 5%	1/10W (C211)
R4	1-216-097-91	RES-CHIP 100K 5%	1/10W (C211L)
R5	1-216-037-00	METAL CHIP 330 5%	1/10W
R6	1-216-057-00	METAL CHIP 2.2K 5%	1/10W
R7	1-216-081-00	METAL CHIP 22K 5%	1/10W
R8	1-216-105-91	RES-CHIP 220K 5%	1/10W
R9	1-216-097-91	RES-CHIP 100K 5%	1/10W
R10	1-247-791-91	CARBON 22 5%	1/4W
R11	1-216-041-00	METAL CHIP 470 5%	1/10W (C211L)
R12	1-216-073-00	METAL CHIP 10K 5%	1/10W
R13	1-216-073-00	METAL CHIP 10K 5%	1/10W
R14	1-216-013-00	METAL CHIP 33 5%	1/10W
		< VARIABLE RESISTOR >	
RV1	1-228-790-00	RES, VAR, CARBON 50K (VOL ▲)	
		< FLAT CABLE >	
W1	1-535-804-21	SNAP, BATTERY	

Ref. No.	Part No.	Description	Remark
* W2	1-769-137-11	CORD, CONNECTION (16 CORE)	
		< SWITCH >	
S1	1-771-905-11	SWITCH,SLIDE (BAND)	
S2	1-771-904-11	SWITCH,SLIDE	(OFF/RADIO ON/RADIO/BUZZER)
S3	1-771-906-11	SWITCH,KEY BOARD (ALARM)	
S4	1-771-906-11	SWITCH,KEY BOARD (TIME SET M)	
S5	1-771-906-11	SWITCH,KEY BOARD (TIME SET H)	
S6	1-771-906-11	SWITCH,KEY BOARD (CLOCK)	
S7	1-771-906-11	SWITCH,KEY BOARD (SLEEP)	
S8	1-771-906-11	SWITCH,KEY BOARD (SNOOZE/SLEEP OFF)	
*****			
* 1-678-190-11		TRANSFORMER BOARD	*****
* 1-535-771-11		TERMINAL (EXCEPT C&SA)	
		< TRANSFORMER >	
T1	1-404-790-11	TRANSFORMER, IF (AM IF) (C211L)	
T1	1-435-399-11	TRANSFORMER, IF (AM IF)	
*****			
MISCELLANEOUS			
*****			
* 6	1-678-190-11	TRANSFORMER BOARD	
* 7	1-535-771-11	TERMINAL (EXCEPT C&SA)	
△ 14	1-555-795-00	CORD, POWER (C211:AEP,CET,IT,SP, C211L)	
△ 14	1-696-572-11	CORD, POWER (UK)	
△ 14	1-790-124-11	CORD, POWER (AR)	
△ 14	1-790-431-11	CORD, POWER (AUS)	
△ 14	1-769-339-22	CORD, POWER (C&SA)	
D7	8-749-016-85	DIODE SL-1998-79T (C211:AEP,CET,IT,AR,SP, C211L)	
D7	8-749-016-84	DIODE SL-1998-78T (C&SA,UK,AUS)	
L1	1-419-535-11	COIL, FERRITE-ROD ANTENNA	(LW TRACKING) (C211:IT,C211L)
L1	1-419-532-11	COIL, FERRITE-ROD ANTENNA	(AM TRACKING) (C211:IT,C211L)
△ T2	1-435-400-11	TRANSFORMER, POWER (C&SA)	
△ T2	1-435-401-11	TRANSFORMER, POWE (C211:AEP,CET,IT,UK, AR,SP,AUS,C211L)	
SP1	1-529-456-11	SPEAKER (6.6cm)	
*****			
ACCESSORIES & PACKING MATERIALS			
*****			
3-047-717-11		MANUAL, INSTRUCTION (ENGLISH,FRENCH, GERMAN,SPANISH,DUTCH,SWEDISH,ITALIAN, PORTUGUESE) (C211:AEP,IT,UK,C211L)	
3-047-717-31		MANUAL, INSTRUCTION (ENGLISH,SPANISH, PORTUGUESE,SIMPLIFIED CHINESE) (C211:C&SA,AR,SP,AUS)	
3-047-717-41		MANUAL, INSTRUCTION (DANISH,FINNISH, CZECH,HUNGALIAN,RUSSIAN,SLOVAK) (C211:CET)	

The components identified by mark △ or dotted line with mark ▲ are critical for safety.  
Replace only with part number specified.

# ICF-C211/C211L

**SONY**<sup>®</sup>

## SERVICE MANUAL

2000. 05

*UK Model*  
*E Model*  
*Australian Model*  
*ICF-C211*  
*AEP Model*  
*ICF-C211/C211L*

## SUPPLEMENT-1

File this Supplement with the Service Manual.

**Subject :**

- MEXICAN MODEL HAS BEEN ADDED FOR ICF-C211

### • MODEL ADDETION

The Mexican model is approximately the same as the C&SA model .

Only difference between C&SA model and Mexican model are listed.

For other informations, please refer to the previously issued service manual (9-927-903-11) .

### DIFFERENCE PARTS LIST

**EXPLODED VIEWS** (Service Manual See page 16)

- Abbreviation  
C&SA : Central & South America

Ref. No.	ICF-C211:C&SA Model		ICF-C211: Mexican Model	
	Part No.	Description	Part No.	Description
3	3-044-213-01	CABINET (LOWER) (BLACK)	3-044-213-61	CABINET (LOWER) (SILVER)
	3-044-213-11	CABINET (LOWER) (WHITE)		-----
12	3-044-212-01	CABINET (UPPER) (BLACK)	3-044-212-41	CABINET (UPPER) (SILVER)
	3-044-212-11	CABINET (UPPER) (WHITE)		-----



# ICF-C211/C211L

**SONY**<sup>®</sup>

## SERVICE MANUAL

2001.03

*UK Model*

*E Model*

*Australian Model*

*ICF-C211*

*AEP Model*

*ICF-C211/C211L*

## SUPPLEMENT-2

File this Supplement with the Service Manual.

**Subject :**

- **ADDITION TO THE MODELS MANUFACTURED IN CHINA**

ICF-C211/C211L has been manufactured in Malaysia, but now a model that is to be manufactured in China has been added.

Only difference between manufactured in Malaysia model and manufactured in China model are listed.

For other informations, please refer to the previously issued service manual (9-927-903-11) and Supplement-1 (9-927-903-81) .

**DIFFERENCE PARTS LIST**

- Abbreviation
- IT : Italian AR : Argentine MX : Mexican
- AUS : Australian SP : Singapore
- C&SA : Central & South America
- CET : East European & Russian

**EXPLODED VIEWS** (Service Manual See page 16)

Ref. No.	Manufactured in Malaysia model		Manufactured in China model	
	Part No.	Description	Part No.	Description
* 6	1-678-190-11	TRANSFORMER BOARD	1-677-013-11	TRANSFORMER BOARD
* 7	1-535-771-11	TERMINAL (EXCEPT C&SA,MX)	1-535-771-31	TERMINAL (C211:AEP,IT,CET,UK,SP,AR,AUS,211L)
12	3-044-212-01	CABINET (UPPER) (BLACK) (C211:AEP,IT,CET,UK,C&SA,SP,AR,AUS)	X-3380-763-1	CABINET (UPPER) ASSY (BLACK) (C211:AEP,IT,CET,UK,C&SA,SP,AR,AUS)
	3-044-212-11	CABINET (UPPER) (WHITE) (C211:AEP,IT,CET,UK,C&SA,SP,AR,AUS)	X-3380-764-1	CABINET (UPPER) ASSY (WHITE) (C211:AEP,IT,CET,UK,C&SA,SP,AR,AUS)
	3-044-212-21	CABINET (UPPER) (BLACK) (C211L)	X-3380-765-1	CABINET (UPPER) (BLACK) (211L)
	3-044-212-31	CABINET (UPPER) (WHITE) (C211L)	X-3380-766-1	CABINET (UPPER) (WHITE) (211L)
	3-044-212-41	CABINET (UPPER) (SILVER) (MX)	X-3380-767-1	CABINET (UPPER) ASSY (SILVER) (C211:MX)
13	3-044-215-01	BUTTON (CLOCK) (BLACK)	—————	(Included in CABINET (UPPER) ASSY)
	3-044-215-11	BUTTON (CLOCK) (WHITE)	—————	(Included in CABINET (UPPER) ASSY)
* 18	A-3683-197-A	MAIN BOARD, COMPLETE (C211:C&SA,MX)	A-3683-153-A	MAIN BOARD, COMPLETE(C211:C&SA,MX)
	A-3683-198-A	MAIN BOARD, COMPLETE (C211:AEP,CET,AR,SP)	A-3683-156-A	MAIN BOARD, COMPLETE(C211:AEP,CET,SP,AR)
	A-3683-199-A	MAIN BOARD, COMPLETE (C211:IT)	A-3683-157-A	MAIN BOARD, COMPLETE(C211:IT)
	A-3683-200-A	MAIN BOARD, COMPLETE (C211L)	A-3683-155-A	MAIN BOARD, COMPLETE(211L)
	A-3683-201-A	MAIN BOARD, COMPLETE (C211:UK,AUS)	A-3683-154-A	MAIN BOARD, COMPLETE(C211:UK,AUS)
19	3-049-753-01	PLATE, BACK	3-225-964-01	PLATE, BACK...(WHITE) (C211:AEP,IT,CET,UK,C&SA,SP,AR,AUS,211L)

- Abbreviation
- IT : Italian AR : Argentine MX : Mexican
- AUS : Australian SP : Singapore
- C&SA : Central & South America
- CET : East European & Russian

**ELECTRICAL PARTS LIST**

(Service Manual See page 17 to 18 )

Ref. No.	Manufactured in Malaysia model		Manufactured in China model	
	Part No.	Description	Part No.	Description
*	A-3683-197-A	MAIN BOARD, COMPLETE (C211:C&SA,MX)	A-3683-153-A	MAIN BOARD, COMPLETE(C211:C&SA,MX)
	A-3683-198-A	MAIN BOARD, COMPLETE (C211:AEP,CET,AR,SP)	A-3683-156-A	MAIN BOARD, COMPLETE(C211:AEP,CET,SP,AR)
	A-3683-199-A	MAIN BOARD, COMPLETE (C211:IT)	A-3683-157-A	MAIN BOARD, COMPLETE(C211:IT)
	A-3683-200-A	MAIN BOARD, COMPLETE (C211L)	A-3683-155-A	MAIN BOARD, COMPLETE(211L)
	A-3683-201-A	MAIN BOARD, COMPLETE (C211:UK,AUS)	A-3683-154-A	MAIN BOARD, COMPLETE(C211:UK,AUS)
C12	1-163-033-91	CERAMIC CHIP 0.022uF 50V (EXCEPT C211L)	1-163-033-91	CERAMIC CHIP 0.022uF 50V
	1-163-035-00	CERAMIC CHIP 0.047uF 50V (C211L)	—————	—————
C31	1-163-038-91	CERAMIC CHIP 0.1uF 25V	1-163-038-00	CERAMIC CHIP 0.1uF 25V
C32	1-163-038-91	CERAMIC CHIP 0.1uF 25V	1-163-038-00	CERAMIC CHIP 0.1uF 25V
*	1-678-190-11	TRANSFORMER BOARD	1-677-013-11	TRANSFORMER BOARD
*	1-535-771-11	TERMINAL (EXCEPT C&SA,MX)	1-535-771-31	TERMINAL (EXCEPT C&SA,MX)
T1	1-435-399-11	TRANSFORMER, IF (AM IF)	1-435-399-11	TRANSFORMER, IF (AM IF) (C211)

**ACCESSORIES AND PACKING MATERIALS**

(Service Manual See page 18)

Ref. No.	Manufactured in Malaysia model		Manufactured in China model	
	Part No.	Description	Part No.	Description
	3-047-717-11	MANUAL, INSTRUCTION (ENGLISHI,FRENCH, GERMAN,SPANISH,DUTCH,SWEDISH,ITALIAN, PORTUGUESE) (C211:AEP,IT,UK,CET/C211L)	3-046-169-32	MANUAL, INSTRUCTION(ENGLISHI,FRENCH, GERMAN,SPANISH,DUTCH,SWEDISH,ITALIAN, PORTUGUESE) (C211:AEP,IT,UK,CET/C211L)
	3-047-717-31	MANUAL, INSTRUCTION (ENGLISH,SPANISH, PORTUGUESE,SIMPLIFIED CHINESE) (C211:C&SA,AR,SP,AUS,MX)	3-046-169-22	MANUAL, INSTRUCTION (ENGLISH,SPANISH, PORTUGUESE,SIMPLIFIED CHINESE) (C211:C&SA,AR,SP,AUS,MX)
	3-047-717-41	MANUAL, INSTRUCTION (DANISH,FINNISH, CZECH,HUNGALIAN,RUSSIAN,SLOVAK) (C211:CET)	3-046-169-41	MANUAL, INSTRUCTION (DANISH,FINNISH, CZECH,HUNGALIAN,RUSSIAN,SLOVAK) (C211:CET)





