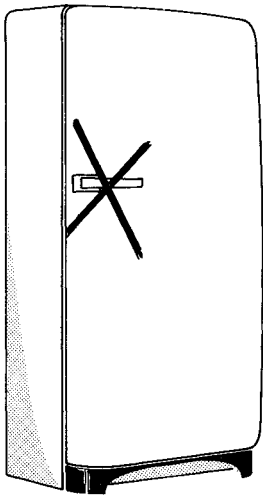


ARCTIS 1415U / 1415GS 1310GS

TABLE TOP FREEZERS



Operating Instructions



GB

IMPORTANT

If the refrigerator or freezer you have purchased is replacing an old model fitted with snap catch or lock, you should render this catch unserviceable before throwing the appliance away or putting it out for refuse collection.

In this way you can prevent children locking themselves in when playing and thus endangering their lives.

GB

You have just purchased a home freezer which has been produced according to the standards applicable to these appliances.

During manufacture the necessary measures have been implemented as required by appliance safety legislation, accident prevention regulations for refrigerating systems and the requirements of the Association of German Electrical Engineers (VDE).

The refrigeration circuit has been checked for leakage. The appliance is radio-interference suppressed in accordance with Common Market guidelines 76/889/CM and 82/499/CM.

Before using your refrigerator for the first time we recommend reading the operating instructions below; only in this way can you make full use of the features of the appliance. These operating instructions are intended for several similar models with different equipment features.

Place selection

If possible, your freezer should be installed in a dry, well-ventilated room. Its installation in a damp room or the occurrence of weather-dependent high air humidity may lead to precipitation of moisture (dew formation) on the outsides of the freezer compartment.

Never install near a heater or oven, or exposed to direct sunshine. If installation beside a heat source is unavoidable, the following minimum distances at the sides are to be complied with: To electric cookers 3 cm, to oil- and coal-fired cookers 30 cm.

Otherwise a heat protection panel should be used.

In case of installation beside a refrigerator or freezer, a distance of 2 cm is necessary on air circulation grounds and to avoid condensation. Do not install in a room whose temperature may exceed +32 °C for any length of time.

Your freezer should be installed horizontally on a

Removing the adhesive tapes

For transport purposes, the doors are secured with adhesive tapes on the housing.

Remove any possible adhesive tape residues with a suitable petroleum-based cleansing agent.

Industrial use

Should you use your home freezer for any purposes other than freezing and storage of food and drinks, please note the legal requirements valid in your area.

stroyed for safety reasons, and an appropriate plug fitted. When fitting the plug please note the following points:

Important

The wires in the mains lead are coloured in accordance with the following code:

Green and Yellow	Earth
Blue	Neutral
Brown	Live

Some appliances have a twin core mains lead, when no earth is required.

As the colours of the wires in the mains lead of this appliance may not correspond with the coloured markings identifying the terminals in your plug proceed as follows:

1. The wire which is coloured green and yellow must be connected to the earth terminal in your plug, which is marked with the letter E or by the earth symbol \perp or coloured green, or green and yellow.
2. The wire which is coloured brown must be connected to the live terminal which is marked with the letter L or coloured red.
3. The wire which is coloured blue must be connected to the neutral terminal which is marked with the letter N or coloured black.

When wiring the plug, ensure that all strands of wire are securely retained in each terminal. Do not forget to tighten the mains lead clamp on the plug. This appliance complies with the requirements laid out in the EEC Directive 76/899.

Voltage 220/240 V AC

Fuse rating 13 amps

See rating plate for further information.

The rating plate is located inside the appliance on the top LH side.

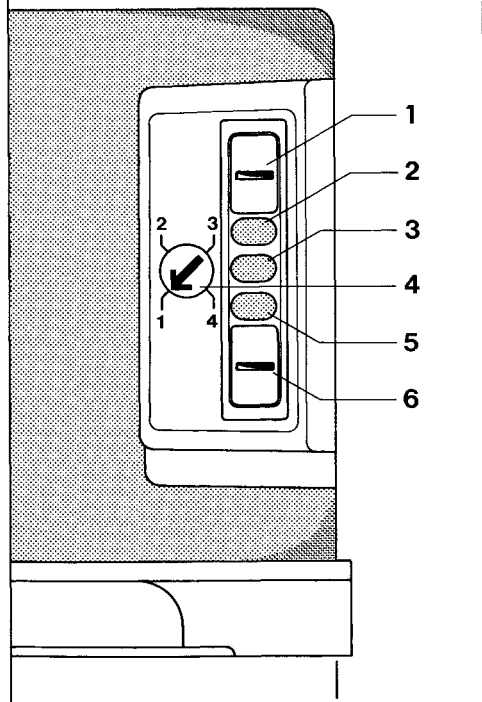
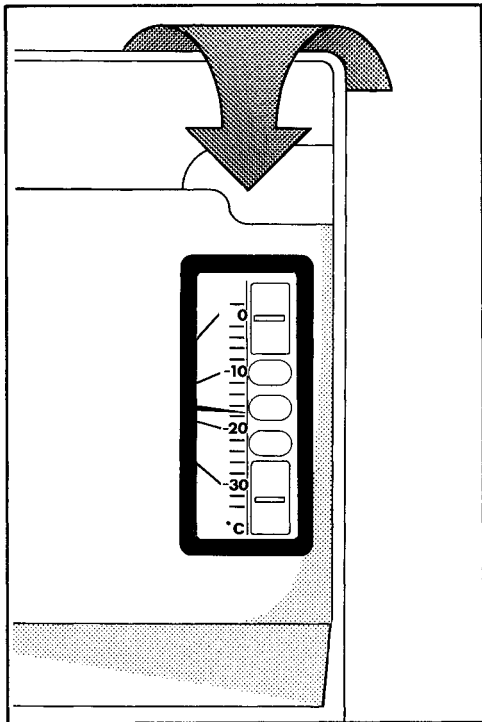
Plug socket

The plug socket necessary for connection of your appliance to the electricity supply should be positioned so that it is possible to pull out the appliance plug.

If the appliance is incorporated under a continuous worktop, the contact plug is to be provided as illustrated.

Before starting up

In common with all new appliances, your freezer will emit a specific odour when new. It is advisable to clean the interior of your freezer and all ac-



GB

Indicator and control panel

The control panel and indicator lights are located inside the appliance behind the top freezer compartment flap. To operate the switch the top freezer compartment flap should be opened forwards.

The control panel incorporates:

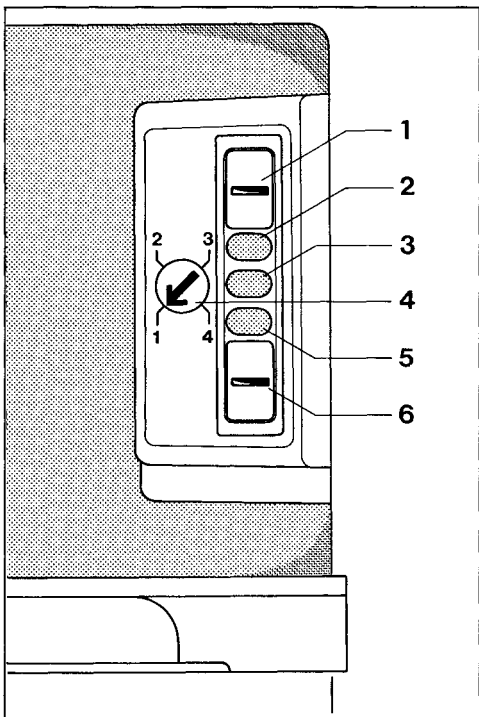
ON/OFF switch (1) with green light (2).

The green light comes on when the appliance is switched on and electric power is available. In this switch position the freezer system will now regulate itself automatically.

Fast freeze switch (6) with yellow light (5).

The yellow light illuminates when the switch is set to "fast freeze", the freezer system operating continuously.



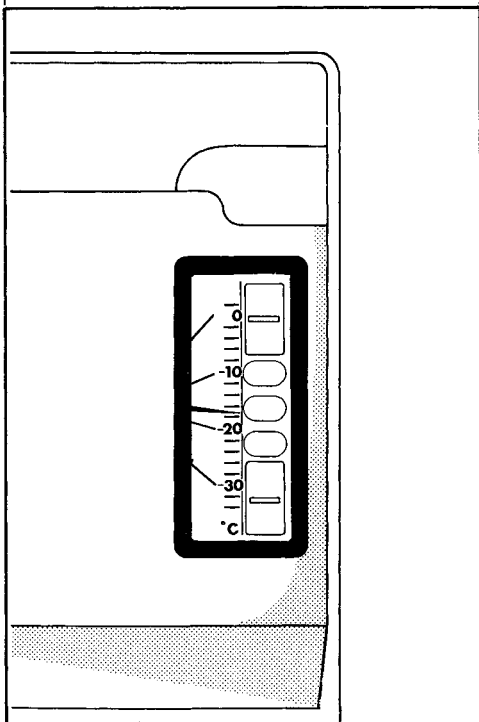


GB

The **red light (3)** comes

- when the appliance is started up,
- when the storage temperature is not being reached,
- when excessive quantities of fresh food are inserted,
- if the door of the appliance is left open too long,
- in the event of a fault in the freezer system.

Important: If you operate the fast freeze switch or adjust the temperature regulator, it may happen that the refrigerating unit of your freezer does not start immediately, but only after some time. In this case, there is no fault in your appliance.



GB

Start up and temperature regulation

Switch on switch (1), green light (2) will illuminate, the freezer system has started up.

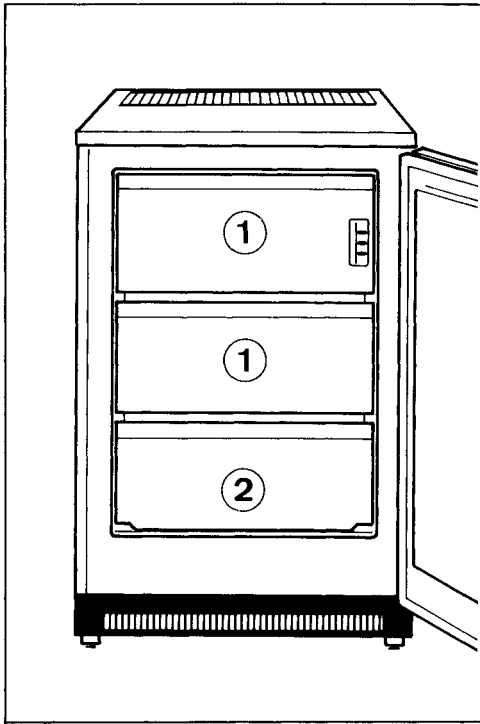
In addition operate fast freeze switch (6), yellow light (5) comes on, and the freezer system starts to operate continuously. Only when red light (3) has extinguished should you cancel fast freeze switch (6), yellow light (5) goes out.

With temperature control (4) the required storage temperature, -18°C or below, can be set.

Position "1" highest and warmest internal temperature.

Position "4" lowest and coldest internal temperature.

Important: Check regularly on the temperature pilot light and thermometer that the storage temperature is being maintained.



GB

Freezing and storage

You can use your freezer for frozen-food storage and for freezing of fresh food yourself. Before filling the freezer for the first time with frozen food (deep-frozen food), the optimum inside temperature of -18°C must have been attained. Please observe the following instructions to be sure of obtaining the best results.

Do not freeze too large a quantity at any one time. The quality of the food is best preserved when it is frozen right through to the core as quickly as possible. Do not exceed the freezing capacity of your appliance as indicated on the rating plate. If you want to carry out freezing on several consecutive days, only utilize $2/3$ to $3/4$ of the maximum capacity. To utilize the maximum rated freezing capacity, switch on the fast-freeze switch 24 hours before freezing is due to start (the amber light will now show). Smallest amounts (up to 3 kg) can be frozen without pressing the fast-freeze switch.

Packed food should be placed directly on the refrigerating unit of one freezer compartment with flap or in a freezer drawer (1).

GB

Hint for test centres

Filling plans for determination of freezing capacity and warm-up time according to DIN Standard conditions may be ordered direct from the

GB

Freezing is thus possible in any freezer compartment or freezer drawer (1), since each level is equipped with its own refrigerating unit.

Also take special care not to mix already frozen foods with those not yet frozen.

The freezer drawer (2) should only be used for storage of frozen food. It also serves as a practical thaw-water collection vessel if you defrost your freezer.

After around 24 hours (earlier for smaller quantities), the fast freeze switch can be switched off. After freezing, you can leave the frozen food at the freezing level concerned.

If, however, further food is to be frozen, you must retain the fast freeze setting and restack the frozen food in the drawers and compartments according to your own arrangement system to make available free freezing space.





6 - 12



GB

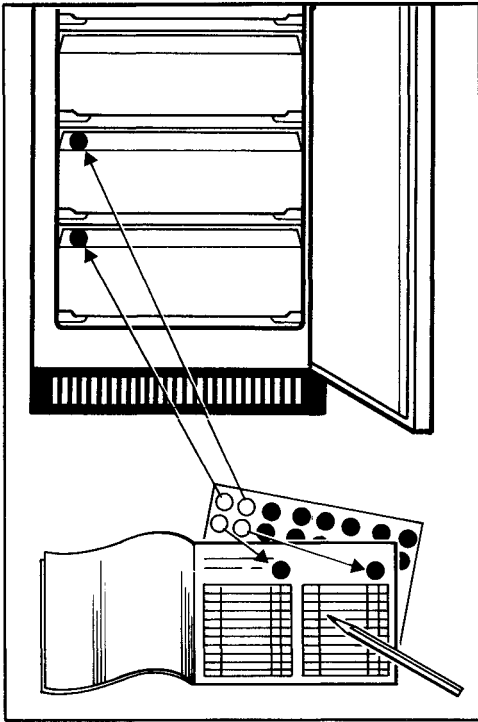
Frozen-food symbols

Some models are provided with frozen-food symbols on the compartment flaps and drawers. Wherever possible, separate the frozen food in the compartments and place the inserted or supplied rider opposite the food type symbol concerned.

This will give you a better overall view of the food stored, will enable you to avoid excessive door opening, and will save you power.

Freezing calendar

The figures beside the symbols indicate the maximum storage time in months altogether for several types of frozen food. Further details are given in the Freezer Book.



GB

Freezer book with stored food chart

The Freezer Book contains all detailed information and hints on freezing and storage. It also contains the stored food chart in which you can do your "bookkeeping".

With the supplied coloured self-adhesive spots, you can mark the compartment flaps/drawers and the stored food chart correspondingly. Enter the stored food with storage dates in soft pencil. In this way, you will at all times have a handy external survey of your frozen food stocks and storage times. No more unnecessary searching and no cold losses through prolonged door opening times. After taking out the frozen food, do not forget to rub out the corresponding entry.

Never handle frozen food with wet hands when removing it from the freezer. Your hands could easily become frozen to the food.

Never use the freezer as a means of cooling hot meals. This would result in heavy frost formation on the evaporator and an increase in power consumption.

If you ever move house

If your freezer is not fully loaded, pack all the frozen food in concentrated fashion at a few storage levels. Switch over to fast freeze 24 hours before the removal van leaves to create a low-temperature reserve in the frozen food.

Secure the freezer door against opening during transport.

Place the freezer on the removal van last so that you can unload it first and replug it into the mains supply.

The do's and don'ts of storing frozen food

Once the freezing process is completed, the food is then stored at a temperature below -18°C and the freezer system is regulated automatically. For fresh food which you have frozen yourself always adhere to the storage times indicated in the Freezer Book. In the case of ready-frozen food it is imperative that you observe the storage times specified by the manufacturer on the packing.

Make sure that only packed food is stored in the freezer, as unpacked food will soon desiccate when exposed to extreme cold.

With the exception of drinks containing a high proportion of alcohol, beverages in glass bottles, particularly soft drinks containing carbon dioxide, juices, beer, wine etc. should not be stored in the freezer. When the contents freeze, the bottles may crack or even burst.

GB

You can accelerate the defrosting process by placing a bowl of hot water in the appliance. Never attempt to accelerate the defrosting process by means of electric heaters or warming appliances, candles etc.!

After defrosting, wash the interior of the appliance with a solution of luke warm water and a commercial detergent. Rinse with clean water. Now dry the interior of the appliance and switch on again. Wait approximately 10 minutes before replacing the food in the freezer.

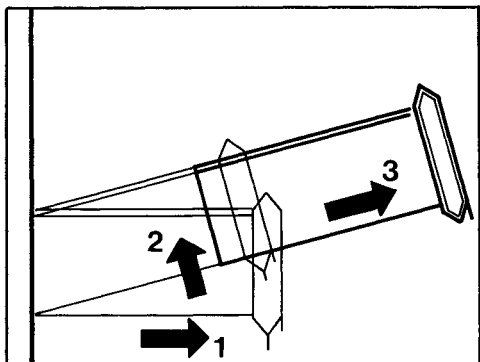
GB

Defrosting and cleaning

The freezer should be defrosted and cleaned at least once a year or as soon as the layer of frost on the evaporator plates has reached a thickness of about 4 mm and at a time when the appliance is either empty or contains only a few items.

To prevent the remaining contents of the freezer from becoming too warm, the appliance should be set to "fast freeze" approximately 12 hours before defrosting in order to build up sufficient reserve. All remaining food packages, hermetically packed if possible, should then be wrapped in several layers of newspaper and stored in a cool place, e. g. in the refrigerator. To defrost the freezer it should be switched off. Operate "OFF" switch, the green light will extinguish. (Pull out power plug or remove fuse.) Apart from the bottom freezer drawer which can be used for collecting the defrosted liquid, remove all other drawers.

▶



GB

Removing the freezer drawers

The stable freezer drawers are protected against tilting and retained in end position. This ensures safe and convenient storage and removal of frozen food.

To remove, pull the drawer out as far as its retention, tilt it upwards, and withdraw it forwards.

GB

Removing frost

The moisture in the air which enters the freezer when the door is opened condenses on the evaporator, especially on the topmost evaporator plate. You should therefore avoid heavy frost formation by keeping the freezer door closed as much as possible. This also saves electricity as heavy frost deposits affect refrigerating efficiency. It is not necessary to defrost the entire freezer for the sake of a small deposit of frost around the top front edges of the pre-freezing compartment for example. This can be removed as and when necessary with the aid of a plastic scraper, e. g. a baker's scraper (not with a knife or similar sharp implement).

GB

Magnetic door

After opening and closing the door of the freezer while the latter is in operation you will not immediately be able to open the door again as a vacuum will have developed inside the freezer compartment which will keep the door closed until the pressures inside and outside the freezer have become equalized. This could take a few minutes.

When not in use

If your freezer is to remain unused for any length of time, it must be disconnected (unplugged) from the electricity supply, defrosted, and thoroughly cleaned. The door should be left ajar to prevent odours from forming.

Faults and servicing

To maintain the safety of your appliance, repairs, especially on live parts, should only be carried out by a trained electrician.

In the event of fault, you should therefore approach your retailer or the after-sales service direct.

Before calling the service centre, please check that the pilot lamps are showing, the refrigeration system is working, and internal temperature is still being maintained.

If the green lamp does not show, but the refrigeration system is running, switch on the fast freeze switch.

If the amber lamp now shows, the green lamp is defective.

Notify service centre.

If no lamps show, check whether voltage is available.

Faults in your power supply can be remedied by an electrician.

The red lamp shows if the storage temperature is not attained.

It is to be regarded as normal if the red lamp shows for some time:

- when the appliance has been switched on;
- if large quantities of fresh food have been placed inside;
- when the appliance door has been open for too long.

The red lamp shows:

- after power failure and when the storage temperature is exceeded;
- if the refrigerating unit is defective.

Before notifying the service centre, please make sure that there really is a fault in your appliance.

In this case, please call your nearest service centre immediately (see list of service centres).



To prevent unnecessary travelling and expense, please state:

- the model type
- E-number and
- F-number

of your appliance.

The rating plate bearing this information is located inside the refrigerating space on the LH side.

Keep the freezer closed and inform our after-sales service whether the refrigeration system is still operating. If the refrigeration system fails, the cold retained in the frozen food at full loading will remain effective for around 20 hours.

N.B.! Unjustified after-sales service calls must be paid for even during the guarantee period.

Important: Check regularly on the red temperature monitoring lamp and on a thermometer placed inside whether the storage temperature is being maintained.

Minor repairs that you can carry out yourself

– Spare parts:

Spare parts can be ordered from the service centre. You can fit these yourself without any special skill or training, e. g.

- compartment flap,
- internal thermometer in compartment flap,
- compartment flap bearings,
- freezer drawers,
- door handle.

Hints on saving energy

- Do not place any hot food in the freezer – first allow the food to cool to room temperature.
- Do not open the door unnecessarily and close it again as quickly as possible.
- Check the storage temperature in the freezing compartment with the thermometer.
- Do not set the frozen food storage temperature lower than -18°C .
- Ensure good ventilation.

Product information

Please stick the product information supplied with your freezer on the back of these Instructions for Use. It also contains data relating to the energy consumption, storage time in case of a fault, and freezing capacity of your appliance.

Variable worktop – adjustment

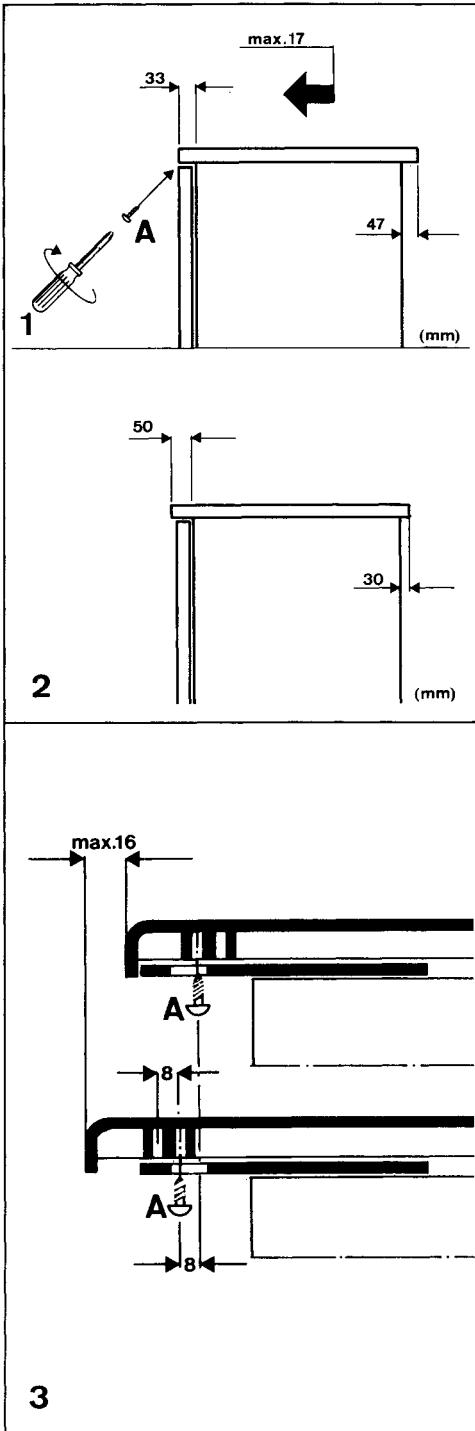
The variable worktop enables you to match up the front of your appliance to the fronts of adjoining domestic appliances or kitchen furniture with millimetre accuracy. For this purpose, the worktop can be continuously shifted forward up to 16 or 17 mm (Figs. 1 and 2).

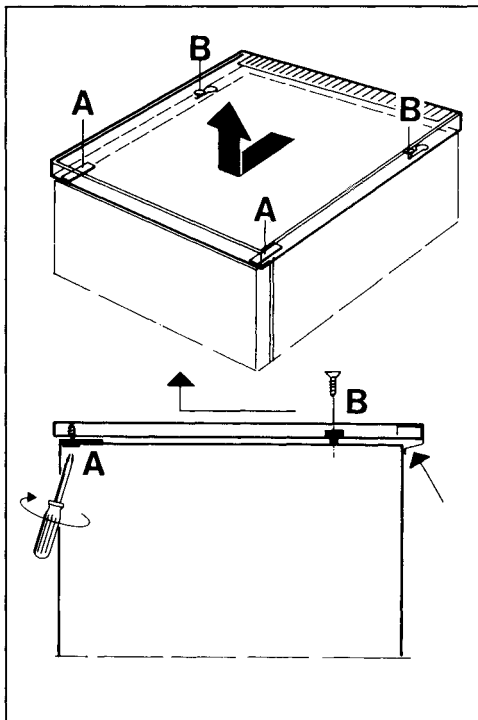
The procedure could not be simpler:

1. Open door.
2. Loosen two Philips screws (A) on LH and RH sides.
3. Shift worktop forward to required dimension.
4. Retighten screws (A).

Instructions for plastic-coated worktops.

The worktop can be shifted in two 8 mm stages. If the worktop needs to be shifted by more than 8 mm, the screws (A) are to be unscrewed and screwed into the second hole group after the worktop has been shifted (Fig. 3).





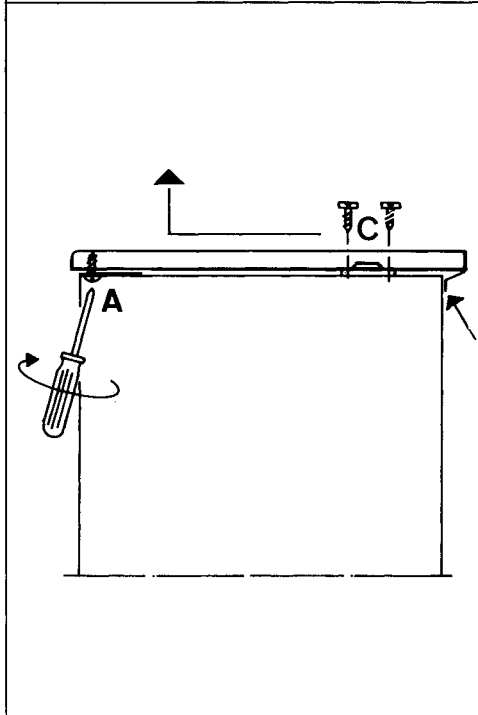
GB

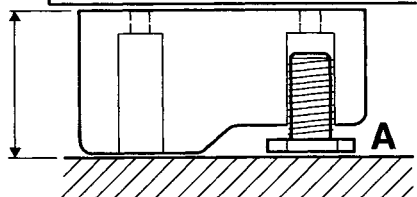
... detachment

After detachment of the worktop, the appliance can be incorporated under a continuous worktop (Fig. 3).

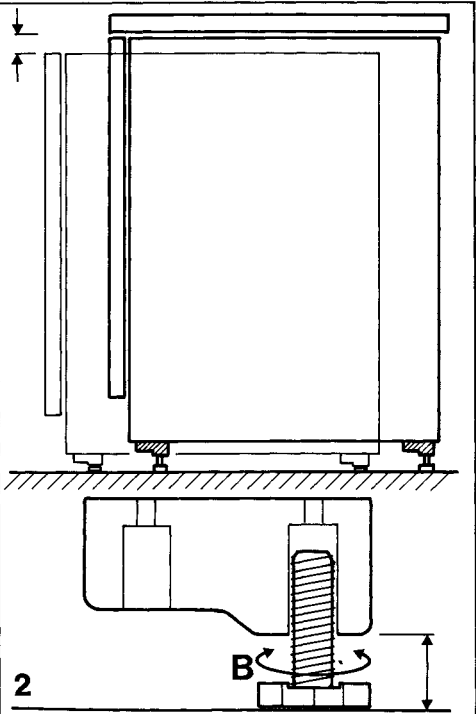
For this purpose:

1. Open door.
2. Loosen two Phillips screws (A) on LH and RH sides.
3. Lift worktop slightly at centre on ventilation grille, slide it forward, and lift upwards.
4. Unscrew clamping pin (B) or panel holder (C) on plastic-coated worktops.
5. Seal drillholes with a moisture-proofing adhesive tape to prevent entry of moisture.





1



2

GB

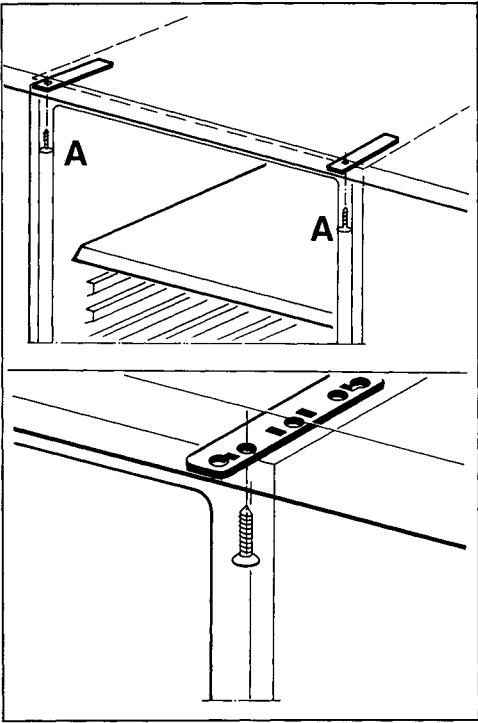
Adjustable feet – working height 85/86 cm

Your appliance is serially equipped with 4 adjustable feet to compensate for irregularities in the floor. You should screw the feet in or out as necessary.

If your appliance is incorporated under a continuous worktop, all 4 adjustable feet must be changed over to deeper-lying position (A) (Fig. 1).

Special accessory: adjustable feet – working height 90/91 cm

If your appliance is intended for a working height of 90/91 cm, the 4 adjustable feet (B) should be ordered with a length of 6 cm (E-No. 621 833 004) and screwed in as shown in Fig. 2.

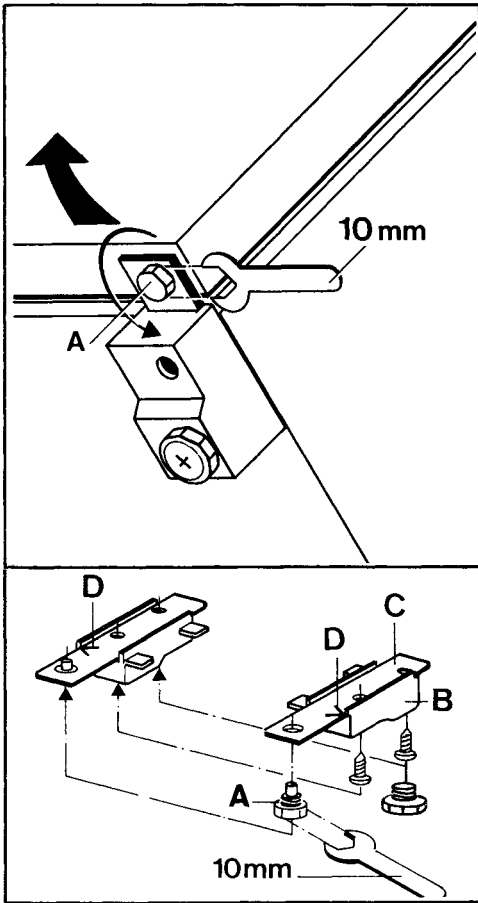


GB

Mounting on continuous worktop

If your appliance is installed under a continuous worktop, it is fitted with two mounting screws (A) under the worktop.

For this purpose, the front mounting screws of the detached worktop can be used.



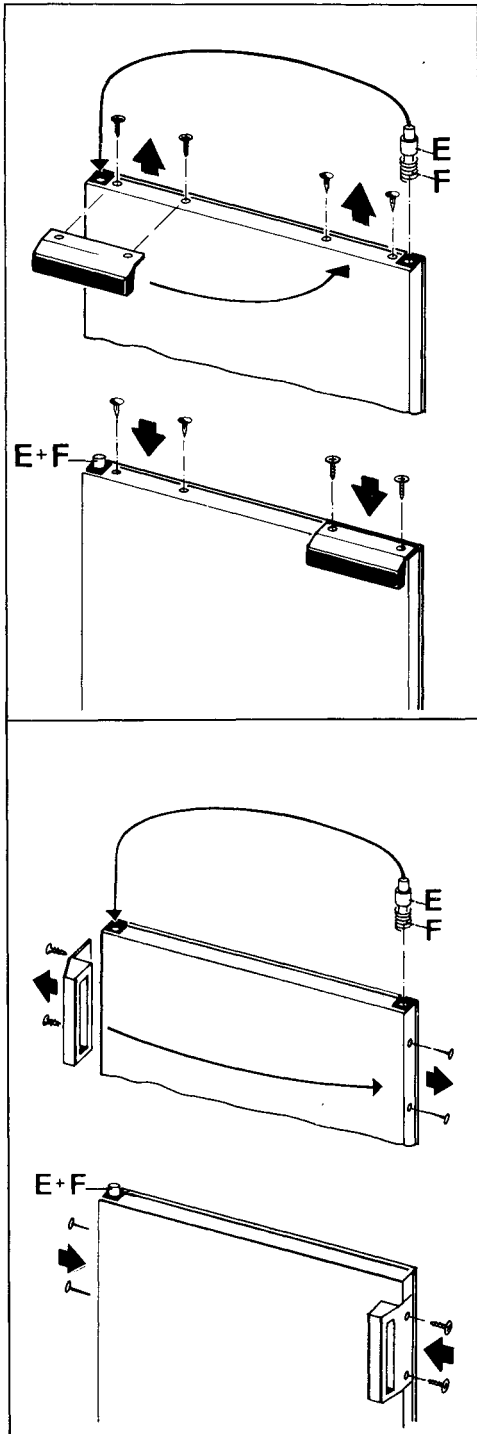
GB

Rehinging the door on appliances without plinth

Before connecting your appliance to the power supply, you should check whether the door hinge should be changed over from right (as delivered) to left if required by the installation site and operability.

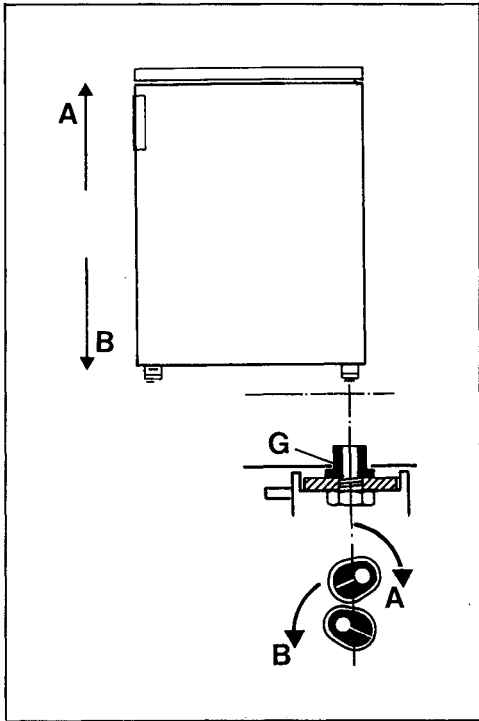
- Incline appliance backwards.
- To remove the door, unscrew pivot (A).
- Lift door off door bearing and remove downwards.
- Place door aside and protect against damage.
- Keep pivot (A) in a safe place.
- Change front feet (B) and lower door bearing (C) as per sketch.
- When fitting the door bearing, ensure that the embossing 540 or 595 (as appliance width dimension) is legible and that the marked arrow (D) points outwards to the appliance side.
- Screw in pivot (A) at LH side.
- Reset appliance in upright position.





GB

Remove pivot (E) with spiral spring (F) and insert into door below on LH side.
 Insert door in pivot (A), press in pivot (E), and ensure engagement above in door bearing.
 Rescrew door handle above or at side as shown in sketches. Plug screwholes with notched pins.



GB

Aligning appliance door

Bottom pivot bush:

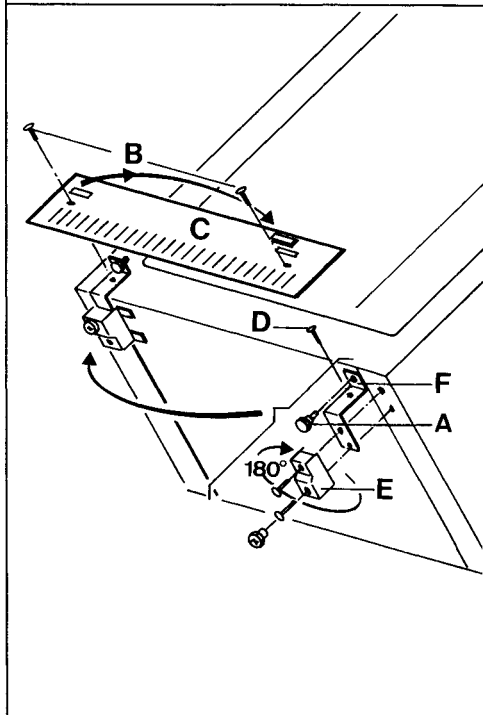
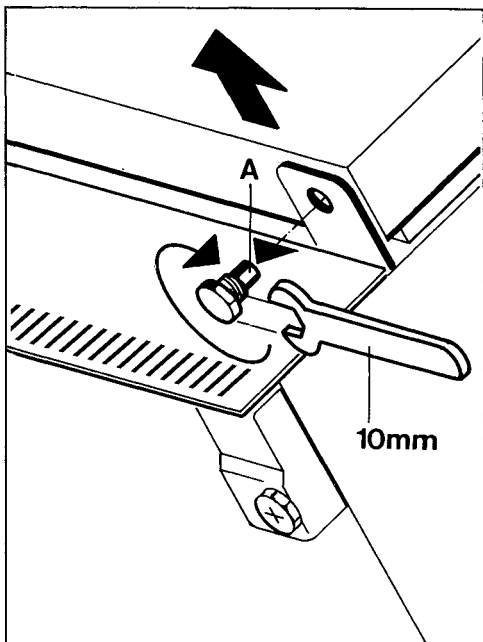
Remove appliance door.

Lift bottom pivot bush out of door. Turn it through the required angle of adjustment and re-insert.

Pivot bush position (A) raises the left-hand top edge of the door.

Pivot bush position (B) lowers the left-hand top edge of the door.

Reverse procedure in the case of a left-hand hung door. Refit appliance door.



GB

Rehingeing the door on appliances with plinth and without door decoration

Incline appliance backwards.

To remove the door, unscrew pivot (A).

Lift door off door bearing and remove downwards.

Place door aside and protect against damage.

Keep pivot (A) in a safe place.

Unscrew screws (B). Unlock and detach plinth screen (C) by inserting screwdriver into outer ventilation slots of housing.

Unscrew screw (D).

Change front feet (E) and lower door bearing (F) as per sketch.

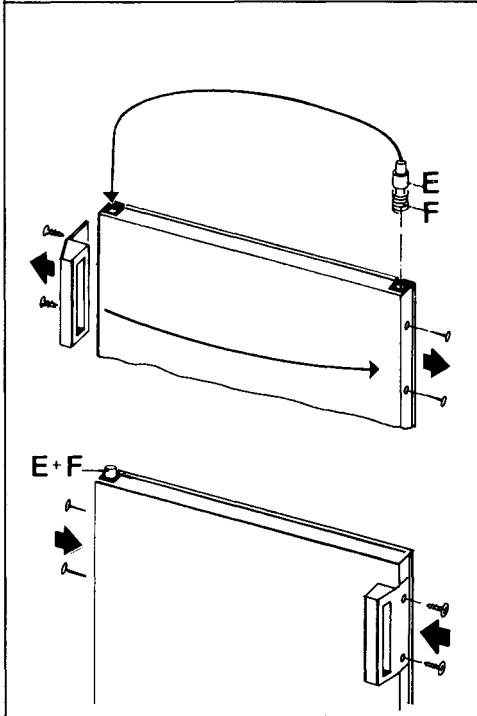
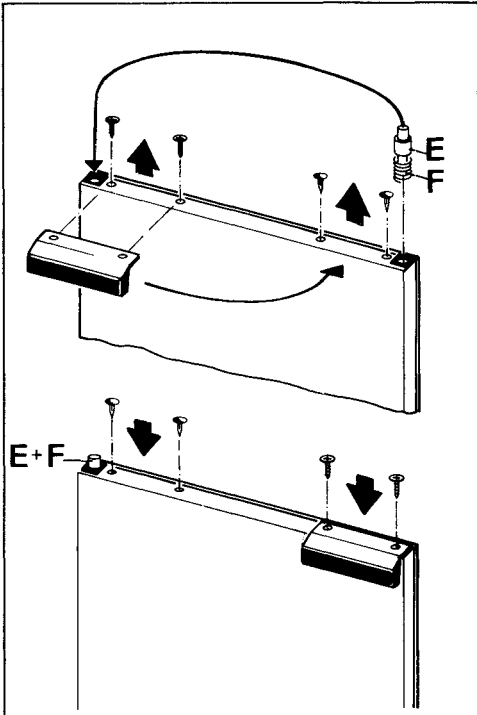
Align door bearing vertically and screw in screw (D) without predrilling.

Insert plinth screen (C) and screw in screws (B).

Screw in pivot (A) at LH side.

Reset appliance in upright position.



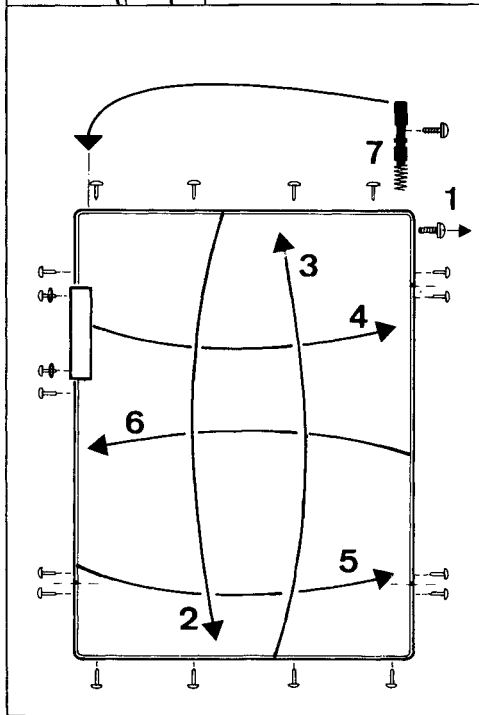
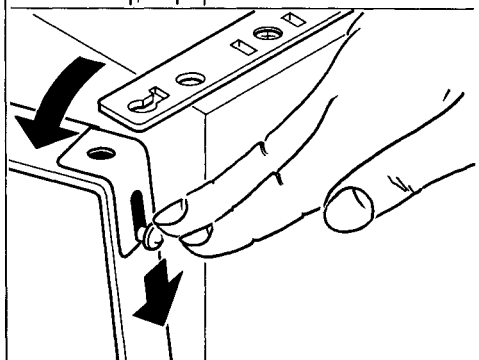
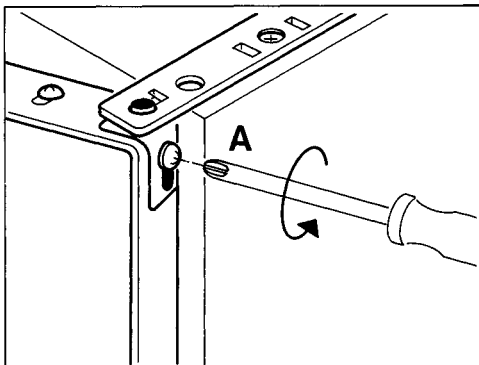


GB

Remove pivot (E) with spiral spring (F) and insert into door below on LH side. Insert door in pivot (A), press in pivot (E), and ensure engagement above in door bearing. Rescrew door handle above or at side as shown in sketches. Plug screwholes with notched pins.

Aligning the appliance door

As shown on pages 70/71.

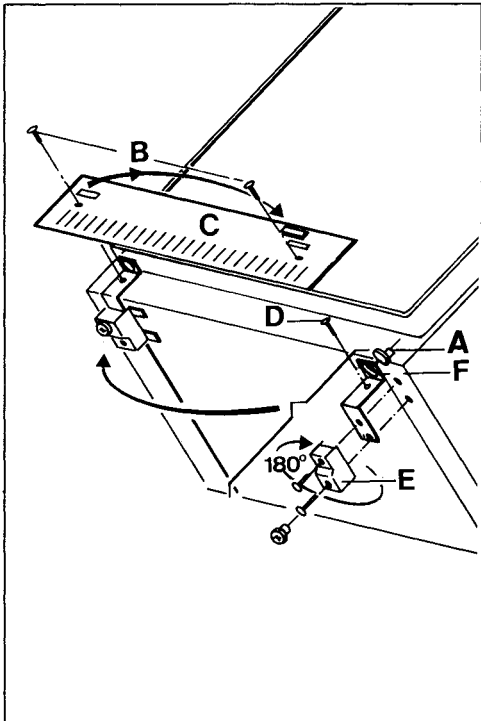


GB

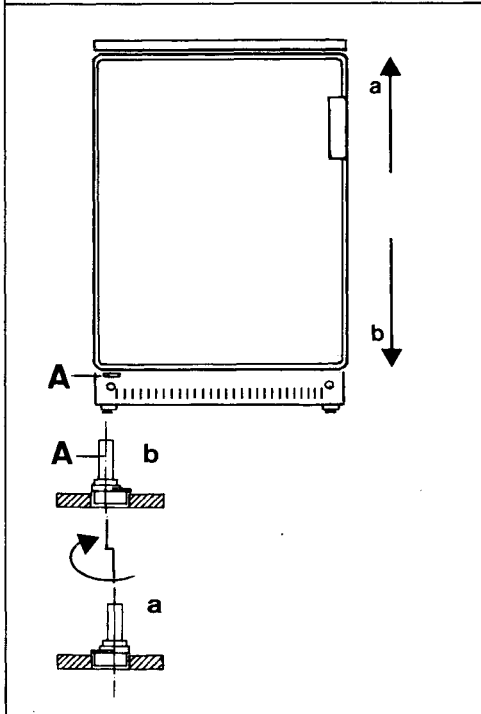
Rehinging the door on appliances with plinth and with serially-fitted door decoration

To remove the door, only loosen screw (A) as far as necessary, slightly open door, press screw with pivot downwards, tilt upper side of door forwards, and remove door from lower door bearing downwards.

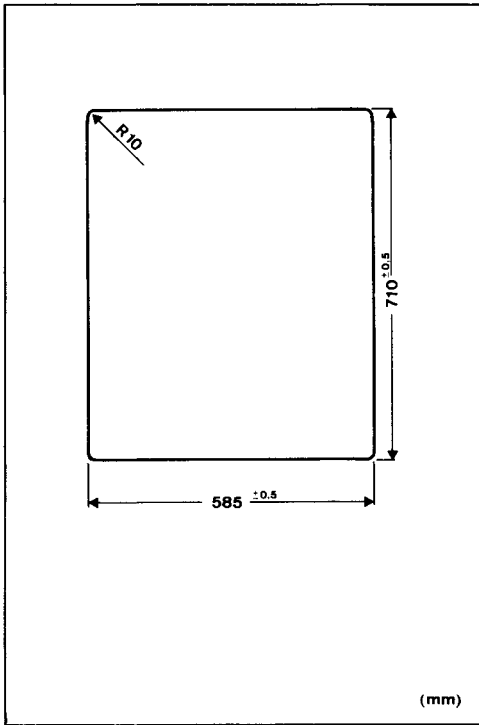
Place door aside and protect against damage. Change over decor frame strips, door handle, and pivot in sequence of figures. If front surface of door is to be provided with a decorative trim to match the kitchen design, this is to be fitted at the same time (see "Door decoration").



GB



Incline appliance backwards. Remove pivot (A) from door bearing. Unscrew screws (B). Unlock and detach plinth screen (C) by inserting screwdriver into outer ventilation slots of housing. Unscrew screw (D). Change front feet (E) and lower door bearing (F) as per sketch. Align door bearing vertically and screw in screw (D) without predrilling. Insert plinth screen (C) and screw in screws (B). Screw in pivot (A) at LH side. By changing over pivot (A), the door can be aligned as necessary. Place door on lower pivot and mount above after pressing down screw and pivot.

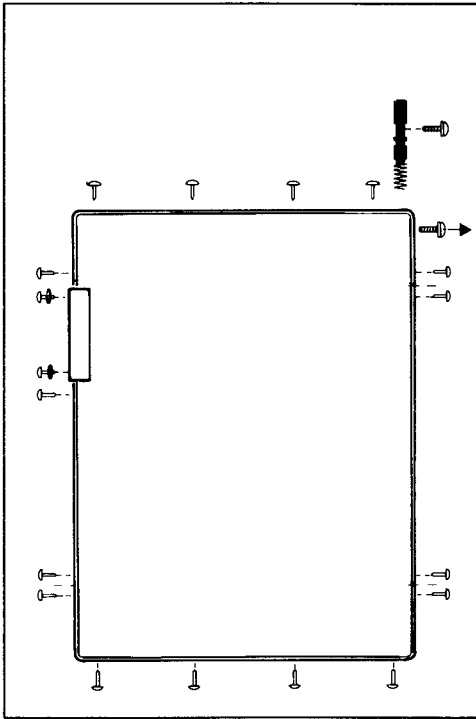


GB

Door decoration on appliances with plinth and with serially-fitted door decoration

The serially-fitted equipment with a door decor frame enables you to match the door front of your appliance to your kitchen design with a decorative trim of up to max. 4 mm thickness. Dimensions of decorative trim as shown in sketch (please recheck the door dimensions of your appliance to make sure).



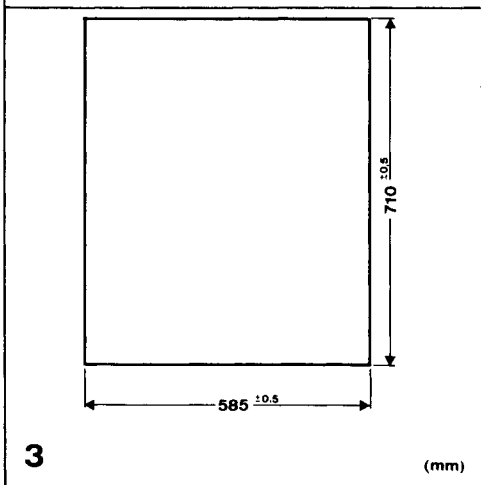
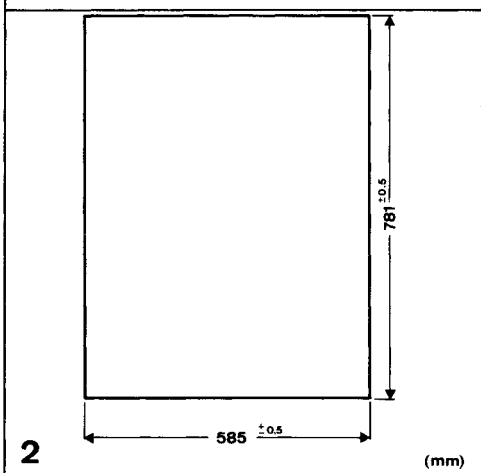
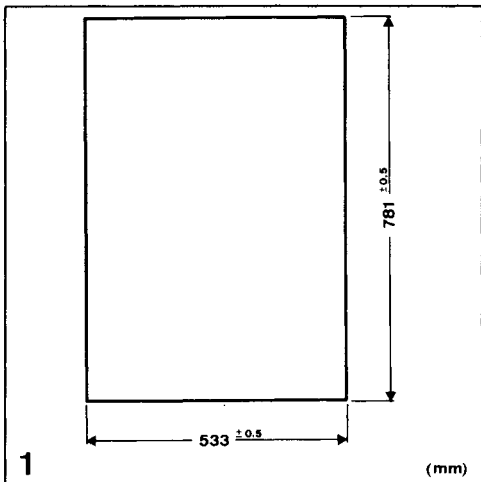


GB

To fit, please proceed as follows:

1. Remove door (see "Rehinging the door").
2. Unscrew upper frame strip.
3. Loosen other screws of side strip, handle, and lower frame strips and press strips and handle forwards.
4. Insert decorative trim from above, press on strips and handle, and tighten screws.
5. Fit upper frame strip.
6. Refit door (see "Rehinging the door").

If a thin decorative trim is being fitted, it is recommended to use double-sided adhesive tape.



GB

Special accessory: door decor frame with handle

To match the door front of your appliance to your kitchen design with a decorative trim of up to max. 4 mm thickness, a decor frame retrofitting kit is obtainable as a special accessory:

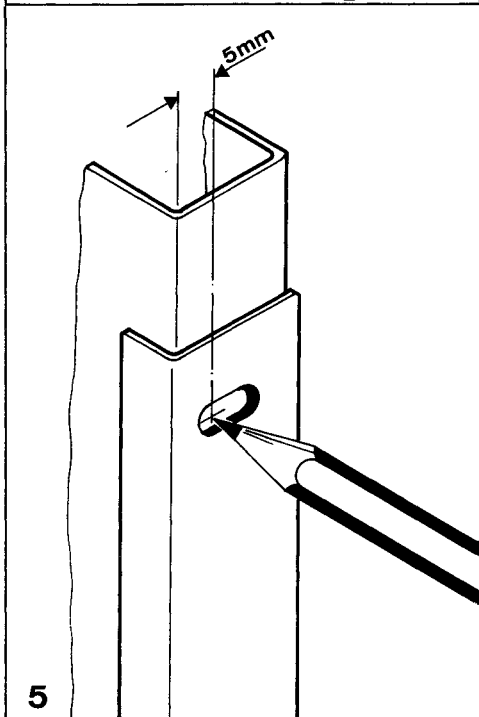
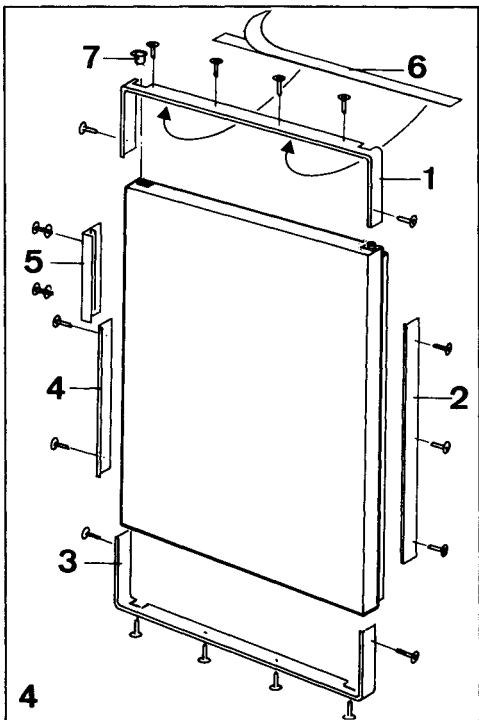
Decor frame with handle, white (E-No. 621 834 004) for appliances without plinth, 54 cm wide – for dimensions of decorative trim, see Fig. 1.

Decor frame with handle, white (E-No. 621 835 004) for appliances without plinth, 59.5 cm wide – for dimensions of decorative trim, see Fig. 2.

Decor frame with handle, brown (E-No. 621 836 004) for appliances with plinth, 59.5 cm wide – for dimensions of decorative trim, see Fig. 3.

To ascertain the dimensions of the decorative trim, please recheck the door dimensions of your appliance to make sure.





GB

10. Arrange upper frame strip 1 with screws.
 11. Press on strips and handle and tighten screws.
 12. Insert cover 7.
 13. Refit door (see "Rehingeing the door").
- If a thin decorative trim is being fitted, it is re-

GB

To fit, please proceed as follows (Fig. 4):

1. Remove door (see "Rehingeing the door").
2. Unscrew handle and hole covers of screw-holes.
3. Locate frame strips 1, 2, 3 and 4 as well as handle 5.
4. Mark pattern of holes as per sketch (Fig. 5), arranging the pattern of holes in the front part of the slot.
5. Drill pattern of holes with 2.1 mm dia.
6. Loosely arrange lower frame strip 3 and side strips 2 and 4 with screws.
7. Slide in decorative trim from above.
8. Arrange handle with two screws (not forgetting washers).
9. Stick double-sided adhesive tape 6 below upper frame strip 1.

H 271 217 800 – 0887/03 – 150

Änderungen vorbehalten

Subject to change without notice

Sous toute réserve de modification

Sujeto a modificaciones sin preaviso

Con riserva di modificazioni

Wijzigingen voorbehouden

Imprimé en République Fédérale d'Allemagne

Druck: T&S 11. 88

AEG Domestic Appliances Ltd

Customer Care Department

55-77 High Street

Slough

Berkshire SL1 1DZ
